

SUMP VACUUM CLEANERS FOR OIL AND CHIPS

# RAM OIL 280

## INDUSTRIAL VACUUM CLEANER FOR LUBRICATING OILS AND SHAVINGS



Watch the video!



**POWER**  
2,2 kW - 3 HP



**APPLICATION**  
Oils and lubricants mixed shavings



**CAPACITY**  
280 lt

## FEATURES

- Filters and reuses lubricating and cutting oils
- Simultaneous liquid suction and discharge capability
- Simplified liquid collection and swarf management
- Sturdy painted steel construction

## HIGHLIGHTS



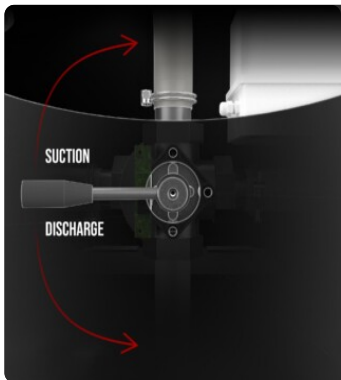
### SUCTION UNIT

The suction unit is a side channel blower with direct coupling between motor and impeller. The turbine is equipped with a safety valve to ensure continuous, maintenance-free work. A metal silencer is included as standard in the turbine to ensure a low noise level.



### FILTER UNIT

The collected liquid passes through a liquid filter with an efficiency of 150µ and a grid basket, which trap chips and simplify their disposal. In this way, even the smallest solid particles can be separated, making the filtered liquid suitable for reuse.



### LIQUID DISCHARGE SYSTEM

A convenient lever, located at the rear of the vacuum cleaner, allows rapid switching between suction and container emptying. The reverse flow system uses the exhaust air ensuring the efficiency and speed of the operation.



### ACCESSORY KIT INCLUDED

A complete and functional accessory kit is included in the standard equipment of the vacuum cleaner

## TECHNICAL DATA

### MOTOR

Typologies	Side channel blower
Power	2,2 kW - 3 HP
Frequency	50/60 Hz
Voltage	400 V
Vacuum in continuous run	220 mBar
Maximum air flow	220 m <sup>3</sup> /h
Insulation class	55   F IP
Noise level	72 dB(A)

### MACHINE

Suction inlet	50 Ø mm
Collection system	Steel container
Solids capacity	40 lt
Liquids capacity	280 lt
Liquid discharge system	Reverse flow
Dimensions	700 x 1450 mm
Height	1400 mm
Weight	220 Kg
Accessory kit included	P12352
Solid separation	Basket grid
Liquid separation	150µm liquid filter
Safety valve	Pressure relief valve

### FILTRATION

Primary filter type	Bag
Media	Polypropylene 150µm

OPTIONS

STRUCTURE AND OPTIONS

**60<sup>✓</sup> HZ**

**60HZ**  
Available in 60Hz version



**BIS**  
Inspection door for internal maintenance



**LIQUID DISCHARGE PUMP**  
Allows simultaneous suction and discharge of liquid

ACCESSORIES



**P12355**  
**OIL & SWARF KIT PRO Ø 50MM**  
Complete system for collecting oil and metal shavings, with specific accessories for every part of the machine tool. - 3 m of reinforced ...