

iwata

by ANEST IWATA



PROFESSIONAL AIRBRUSHES & COMPRESSORS



PRICE LIST 2017



SHORT PAINT PASSAGE

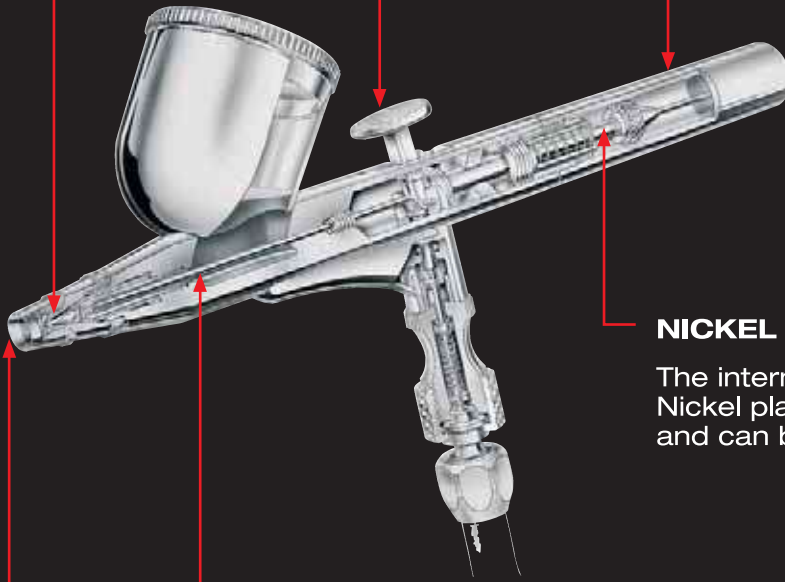
The gravity fed airbrushes have a very short fluid passage, easy to clean and simple to maintain.

ANTI CORROSIVE PROTECTIVE EXTERIOR

The exterior is nickel and chrome plated. External clean up is easy as paint will not readily stick to the chrome surface.

MAIN LEVER

Incredibly smooth feel.



NICKEL PLATED INTERIOR PARTS

The internal parts last longer and resist corrosion. Nickel plated parts will not stick together and can be taken apart manually.

STAINLESS STEEL NEEDLES

The long gradual taper of the stainless steel needle offers the ultimate in spray control. The extremely sharp tip ensures fine line consistency.

STAINLESS STEEL NOZZLES

Each nozzle is made with extreme precision using the industry's most sophisticated machinery. They are tested one by one to ensure accurate control and excellent atomization. They are self sealing to eliminate the need for messy sealers. Stainless steel nozzles are more durable than conventional brass nozzles and resist chemical corrosion.

Stipple Patterns

A stippling effect can be achieved by removing the nozzle cap and regulating the air pressure.

An entire range of stippling effects can be sprayed, from very fine to coarse textures.



1 AIRBRUSHES

CUSTOM MICRON 2 series	CM-C2 Plus, CM-C2, CM-B2, CM-SB2	2
	<i>Spare Parts</i>	10
HI LINE series	HP-AH, HP-BH, HP-CH	3
	<i>Spare Parts</i>	11
HIGH PERFORMANCE PLUS series	HP-AP, HP-BP, HP-CP, HP-SBP, HP-BCP	4
	<i>Spare Parts</i>	12
ECLIPSE series	HP-BS, HP-CS, HP-SBS, HP-BCS, HP-G3, HP-G5	5
	<i>Spare Parts</i>	13 - 14
REVOLUTION series	HP-AR, HP-BR, HP-CR, HP-SAR, HP-BCR	6
	<i>Spare Parts</i>	15
	HP-TR0, HP-TR1, HP-TR2	8
	<i>Spare Parts</i>	16
REVOLUTION MINI LINE series	HP-M1, HP-M2	7
	<i>Spare Parts</i>	17
NEO series	HP-CN, HP-BCN	8
	<i>Spare Parts</i>	18
NEO TRIGGER series	HP-TRN1, HP-TRN2	8
	<i>Spare Parts</i>	19
KUSTOM series	HP-TH, HP-CM, HP-TR, HP-CH, HP-CS	9
	<i>Spare Parts</i>	20 - 24

2 COMPRESSORS & ACCESSORIES

Airbrush Compressors	26 - 28
Airbrush Accessories	29 - 30
Airbrush Kits	31

3 ARTOOL Series

Templates	32 - 37
Books and Videos	37
Accessories	38

4 COM•ART - MEDEA Paints

COM•ART Colours	39 - 42
MEDEA Body Art	43
MEDEA Nail Art	44

5 Other

Medea Modular Paint Holders	45
Airbrush Stand & Display	46 - 47





For the elite professional who demands precise and accurate control of very detailed spraying, the Custom Micron Series is built to be the "best of the best", hand-tested and adjusted by the world's leading airbrush technicians. Special machining processes along with the meticulous hand-fitting of the parts create an airbrush with superb atomization and incredible control. By removing the crown cap and nozzle cap, these airbrushes will spray an entire range of stipple effects, from very fine to coarse textures.



- Adjustable main lever tension
- Pre-set handle
- Repleceable PTFE needle packing

Custom Micron CM-C2 Plus

SMP*

Code: ICM 4502 Red Metal Box Ø 0.23 € 500,00

Code: ICM 4518 Red Metal Box Ø 0.18 € 500,00

- Feed: _____ Gravity
- Ø Fluid nozzle: _____ 0.23 or 0.18 mm
- Cup capacity: _____ 9 ml
- Type: _____ Double Action



- Adjustable main lever tension
- Pre-set handle
- Crown cap

Custom Micron CM-C2

SMP*

Code: ICM 4002 Red Metal Box Ø 0.23 € 406,00

- Feed: _____ Gravity
- Ø Fluid nozzle: _____ 0.23 mm
- Cup capacity: _____ 9 ml
- Type: _____ Double Action



- Adjustable main lever tension
- Pre-set handle
- Crown cap

Custom Micron CM-B2

SMP*

Code: ICM 2002 Red Metal Box Ø 0.18 € 406,00

Code: ICM 2023 Red Metal Box Ø 0.23 € 406,00

- Feed: _____ Gravity
- Ø Fluid nozzle: _____ 0.18 or 0.23 mm
- Cup capacity: _____ 1.8 ml
- Type: _____ Double Action



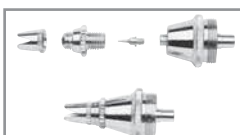
- Adjustable main lever tension
- Pre-set handle
- Crown cap
- Right or left side-feed cup position

Custom Micron CM-SB2

SMP*

Code: ICM 3002 Red Metal Box Ø 0.18 € 406,00

- Feed: _____ Side Feed
- Ø Fluid nozzle: _____ 0.18 mm
- Cup capacity: _____ 3.8 ml
- Type: _____ Double Action



Matched Head System





Featuring the ultimate in air control directly at the nozzle with Iwata's Micro Air Control (MAC) Valve Technology, the Hi-Line Series is designed for artists who need extreme control of detailed spraying. The Hi-Line Series is made with PTFE needle packing, a dual-purpose cutaway, pre-set handle and one-piece auxiliary lever/needle chucking guide.



- Adjustable main lever tension
- Pre-set handle
- External needle adjustment: standard
- MAC air valve



- Adjustable main lever tension
- Pre-set handle
- External needle adjustment: standard
- MAC air valve



- Adjustable main lever tension
- Pre-set handle
- External needle adjustment: standard
- MAC air valve

HI-Line HP-AH

SMP*

Code: H 1100

Ø 0,20 € 283,00

• Feed:	_____	Gravity
• Ø Fluid nozzle:	_____	0.20 mm
• Cup capacity:	_____	0.9 ml
• Type:	_____	Double Action

HI-Line HP-BH

SMP*

Code: H 2100

Ø 0,20 € 283,00

• Feed:	_____	Gravity
• Ø Fluid nozzle:	_____	0.20 mm
• Cup capacity:	_____	1.8 ml
• Type:	_____	Double Action

HI-Line HP-CH

SMP*

Code: H 4100

Ø 0,30 € 283,00

• Feed:	_____	Gravity
• Ø Fluid nozzle:	_____	0.30 mm
• Cup capacity:	_____	9 ml
• Type:	_____	Double Action



iwata
High Performance
 High-Precision, High-Detail Work
plus

Renowned as the professional's workhorse, the popular High Performance Series has been pumped up with these inspired features: Teflon™ needle packing, a dual-purpose, cutaway and pre-set handle and a one-piece auxiliary lever/needle-chucking guide.



- Adjustable main lever tension
- Pre-set handle
- External needle adjustment: standard



- Adjustable main lever tension
- Pre-set handle
- External needle adjustment: standard



- Adjustable main lever tension
- Pre-set handle
- External needle adjustment: standard



- Adjustable main lever tension
- Pre-set handle
- External needle adjustment: standard
- Optional: side gravity cup 7.0 ml
gravity cup 14 ml
siphon bottle 28 ml



- Adjustable main lever tension
- Pre-set handle
- External needle adjustment: standard

HI-Performance PLUS HP-AP SMP*

Code: H 1001 Ø 0.20 € 223,00

- Feed: Gravity
- Ø Fluid nozzle: 0.20 mm
- Cup capacity: 0.9 ml
- Type: Double Action

HI-Performance PLUS HP-BP SMP*

Code: H 2001 Ø 0.20 € 223,00

- Feed: Gravity
- Ø Fluid nozzle: 0.20 mm
- Cup capacity: 1.8 ml
- Type: Double Action

HI-Performance PLUS HP-CP SMP*

Code: H 4001 Ø 0.30 € 223,00

- Feed: Gravity
- Ø Fluid nozzle: 0.30 mm
- Cup capacity: 9 ml
- Type: Double Action

HI-Performance PLUS HP-SBP SMP*

Code: H 3001 Ø 0.20 € 276,00

- Feed: Side Feed
- Ø Fluid nozzle: 0.20 mm
- Cup capacity: 3.8 ml
- Type: Double Action

HI-Performance PLUS HP-BCP SMP*

Code: H 5001 Ø 0.30 € 278,00

- Feed: Suction
- Ø Fluid nozzle: 0.30 mm
- Cup capacity: 28 ml
- Type: Double Action

iwata Eclipse

Ultimate Versatility, Reliability and Performance

The multi-purpose, high-paint-flow, high-detail airbrushes of the Eclipse Series cover a wide range of uses. Commonly used to spray premixed or heavier paints, they are well suited for uses demanding precise control of spray when applying moderate-to-large amounts of paint to a variety of surfaces and to various-sized areas. The Eclipse Series has established a new benchmark for excellence in an all-purpose airbrush.



- Single cut-away handle
- Adjustable main lever tension



- Single cut-away handle
- Adjustable main lever tension



- Single cut-away handle
- Adjustable main lever tension
- Right or left-handed cup position
- Optional: side gravity cup 7.0 ml
gravity cup 14 ml
siphon bottle 28 ml



- Single cut-away handle
- Adjustable main lever tension
- Solvent resistant o-ring

- Stainless steel paint passage
- Pre-set needle adjustment
- Air pressure adjustment
- Fan pattern adjustment
- Cartridge-style air valve set
- Fan pattern air cap



Iwata IS 925 HT*



Eclipse HP-BS

SMP*

Code: ECL 2500

Ø 0,35 € 164,00

- Feed: Gravity
- Ø Fluid nozzle: 0.35 mm
- Cup capacity: 1.8 ml
- Type: Double Action

Eclipse HP-CS

SMP*

Code: ECL 4500

Ø 0,35 € 164,00

- Feed: Gravity
- Ø Fluid nozzle: 0.35 mm
- Cup capacity: 9 ml
- Type: Double Action

Eclipse HP-SBS

SMP*

Code: ECL 3500

Ø 0,35 € 171,00

- Feed: Side Feed
- Ø Fluid nozzle: 0.35 mm
- Cup capacity: 3.8 ml
- Type: Double Action

Eclipse HP-BCS

SMP*

Code: ECL 2000

Ø 0,50 € 154,00

- Feed: Suction
- Ø Fluid nozzle: 0.5 mm
- Bottle capacity: 28 ml
- Type: Double Action

Eclipse HP-G3 & HP-G5

SMP*

For Small Repairs, Mural, Tanning and Hobby

Code: ECL 9100

Ø 0,30 € 421,00

Code: ECL 9200

Ø 0,50 € 421,00

- Feed: Gravity
- Ø Fluid nozzle (G3): 0.30 mm
- Ø Fluid nozzle (G5): 0.50 mm
- Cup capacity (G3): 130 ml
- Cup capacity (G5): 220 ml
- Type: Double Action

*Works well with the NEW Iwata IS 925 HT Compressors (see page 27 for reference)



iwata Revolution

Quality, Performance and Value



- Replaceable PTFE needle packing
- Solid ergonomic handle
- Adjustable main lever tension



- Replaceable PTFE needle packing
- Solid ergonomic handle
- Adjustable main lever tension



- Pre-set handle
- Adjustable main lever tension
- Crown cap



- Replaceable PTFE needle packing
- Solid ergonomic handle
- Adjustable main lever tension



- Replaceable PTFE needle packing
- Solid ergonomic handle
- Adjustable main lever tension

Made for users at all levels, the Revolution Series features top-of-the-line airbrushes at great value. With breakthrough technology and performance, these airbrushes outperform all others in their price range.

Revolution HP-AR

SMP*

Code: R 1500

Ø 0.30 € 116,00

- | | |
|-------------------|---------------|
| • Feed: | Gravity |
| • Ø Fluid nozzle: | 0.30 mm |
| • Fluid cavity: | 0.9 ml |
| • Type: | Double Action |

Revolution HP-BR

SMP*

Code: R 2500

Ø 0.30 € 116,00

- | | |
|-------------------|---------------|
| • Feed: | Gravity |
| • Ø Fluid nozzle: | 0.30 mm |
| • Cup capacity: | 1.8 ml |
| • Type: | Double Action |

Revolution HP-CR

SMP*

Code: R 4500

Ø 0.50 € 116,00

- | | |
|-------------------|---------------|
| • Feed: | Gravity |
| • Ø Fluid nozzle: | 0.50 mm |
| • Cup capacity: | 9 ml |
| • Type: | Double Action |

Revolution HP-SAR

SMP*

Code: R 1000

Ø 0.50 € 108,00

- | | |
|-------------------|---------------|
| • Feed: | Suction |
| • Ø Fluid nozzle: | 0.50 mm |
| • Cup capacity: | 28 ml |
| • Type: | Single Action |

Revolution HP-BCR

SMP*

Code: R 2000

Ø 0.50 € 122,00

- | | |
|-------------------|---------------|
| • Feed: | Suction |
| • Ø Fluid nozzle: | 0.50 mm |
| • Cup capacity: | 28 ml |
| • Type: | Double Action |

iwata Revolution

Quality, Performance and Value



- Replaceable PTFE needle packing
- Solid ergonomic handle
- Adjustable main lever tension



- Replaceable PTFE needle packing
- Solid ergonomic handle
- Adjustable main lever tension

Fine detail to 1-1/2" spray pattern. Redesigned trigger mechanism and larger needle-chucking nut for easy assembly. Replaceable internal PTFE needle packing for use with solvent-based paints. Larger nozzle and needle combination (0.5 mm) makes for easier spraying of thicker or heavier paints.

Revolution HP-TR0 & HP-TR1 SMP*

Code: R 5002 HP-TR0 Ø 0.20 € 247,00

Code: R 5000 HP-TR1 Ø 0.30 € 247,00

- Feed: Side Gravity
- Ø Fluid nozzle (HP-TR0): 0.20 mm
- Ø Fluid nozzle (HP-TR1): 0.30 mm
- Cup capacity: 9 ml
- Type: Double Action

Revolution HP-TR2 SMP*

Code: R 5500 Ø 0.50 € 247,00

- Feed: Side Gravity
- Ø Fluid nozzle: 0.5 mm
- Cup capacity: 15 ml
- Type: Double Action

REVOLUTION MINI LINE Series

iwata Revolution



Gravity-Feed Single-Action Airbrush

The Revolution MINI Series features break through technology and top-of-the-line performance at great value. The MINI Series will become a significant tool for progressive Beauty Professional, Temporary Tattoo artist, RC enthusiasts and Model Builders. The HP-M Revolution are action gravity feed airbrushes with flow control at the back of airbrush by just twisting.

Also feature PTFE needle packing for use with solvent based paints. The MINI Series is great for the temporary tattoo artist, beauty professional, nail artists and model builders.



- Designed for low pressure applications



- Designed for low pressure applications

Mini Line HP-M1 SMP*

Code: R 1050 Ø 0.30 € 130,00

- Feed: Gravity
- Ø Fluid nozzle: 0.30 mm
- Cup capacity: 1.5 ml
- Type: Single Action

Mini Line HP-M2 SMP*

Code: R 1060 Ø 0.40 € 130,00

- Feed: Gravity
- Ø Fluid nozzle: 0.40 mm
- Cup capacity: 7 ml
- Type: Single Action

neo for iwata



- Includes interchangeable large (1/3 oz.) and medium (1/16 oz.) cups designed with a funnel shape, which makes for easy clean-up and more efficient paint flow.



- Includes a 1 oz. Big Mouth Bottle. (Also compatible with other sizes of Big Mouth Bottles and Iwata bottles.)

THE BEST AIRBRUSH For THE FIRST TIME USER!
The NEO is very affordable, sprays great with an inexpensive compressor and is backed by the leading company in the airbrush market.

NEO HP-CN

SMP*

Needle and nozzle combination for high-performance, general-purpose, high-paint-flow spraying and wider spray patterns.

Code: N 4500

Ø 0.35

€ 85,00

- Feed: Gravity
- Ø Fluid nozzle: 0.35 mm
- Interchangeable Cups: 9 ml cup - 2 ml cup - (0.9 ml w/o cup)
- Type: Double Action

NEO HP-BCN

SMP*

Needle and nozzle combination for finer detail spraying and medium-sized spray patterns.

Code: N 2000

Ø 0.50

€ 85,00

- Feed: Gravity
- Ø Fluid nozzle: 0.50 mm
- Bottle capacity: 28 ml
- Type: Double Action

NEO TRIGGER Series

neo for iwata

This is not any ordinary trigger Airbrush! The NEO Series, including these New NEO for Iwata Trigger Airbrushes, are unique in that they are designed to work at low air pressures. The benefits of the NEO Trigger Airbrushes working with low air pressures are minimal overspray, precise control, detailed spraying, fine atomization and affordability. Specifically designed to work together, the NEO AIR for Iwata Miniature Air Compressor and the New NEO for Iwata Trigger Airbrushes make the perfect set...affordable and compact!



- Applications include: cosmetics, nail art, miniature, hobbies, photo retouching, illustration.



- Applications include: model railroad, general hobbies, custom automotive graphics, tanning, body art, cosmetics.

NEO HP-TRN1

SMP*

Preferred when working in small- to medium-sized areas with small amounts of paint, the gravity-feed trigger airbrush performs well at lower air pressures, which helps create greater detail.

Code: N 5500

Ø 0.35

€ 171,00

- Feed: Gravity
- Ø Fluid nozzle: 0.35 mm
- Interchangeable Cups: 9 ml (large) - 2 ml (medium)
- Type: Double Action

NEO HP-TRN2

SMP*

When working in medium- to large-sized areas with larger amounts of paint, a side-feed trigger airbrush is preferred.

Code: N 5000

Ø 0.50

€ 171,00

- Feed: Side Gravity
- Ø Fluid nozzle: 0.50 mm
- Interchangeable Cups: 7 ml - 15 ml - 30 ml Iwata Big Mouth Bottles
- Type: Double Action



Kustom painting takes pole position with the Iwata Kustom airbrush series that sports large cups and shines in atomizing solvent-based paints. PTFE packing, large cups, pre-set handles and taller triggers distinguish these airbrushes as Kustom.



- MAC valve (Micron air pressure control)
- Spray gun trigger design
- Air cap for round and flat pattern
- Needle packing in pte



- Taller trigger for extreme control of trigger action and paint flow
- Pre-set handle
- MAC valve for precise air pressure control
- Pistol-grip filter included



- Pre-set handle
- Pistol-grip filter included
- Trigger spray gun design



- Taller trigger for extreme control of trigger action and paint flow
- Pre-set handle
- MAC valve for precise air pressure control
- Pistol-grip filter included



- Taller trigger for extreme control of trigger action and paint flow
- Pre-set handle
- Pistol-Grip filter included



Kustom TH HP-TH

SMP*

Trigger Type - Fan and Round Pattern Atomization

Code: K 9200 Ø 0.50 € 415,00

- Feed: Gravity
- Ø Fluid nozzle: 0.50 mm
- Cup capacity: 14 ml
- Type: Double Action

Kustom MICRON HP-CM

SMP*

Code: K 9000 Ø 0.23 € 552,00

- Feed: Gravity
- Ø Fluid nozzle: 0.23 mm
- Needle packing: PTFE
- Cup capacity: 14 ml
- Type: Double Action

Kustom REVOLUTION HP-TR

SMP*

Triggering the passion of spray-gun users, the Kustom Revolution TR airbrush proves easy to use. The long trigger provides commanding control of the airbrush spray.

Code: K 9400 Ø 0.30 € 343,00

- Feed: Gravity
- Ø Fluid nozzle: 0.30 mm
- Needle packing: PTFE
- Cup capacity: 21 ml
- Type: Double Action

Kustom HI-LINE HP-CH

SMP*

A preferred airbrush for users who need ultimate control of fine-line work and medium background spraying, the Kustom Hi-Line CH boasts a MAC valve that supplies precise air control to the head of the airbrush for ultimate control.

Code: K 9100 Ø 0.30 € 322,00

- Feed: Gravity
- Ø Fluid nozzle: 0.30 mm
- Needle packing: PTFE
- Cup capacity: 14 ml
- Type: Double Action

Kustom ECLIPSE HP-CS

SMP*

The workhorse of the Kustom line, the Kustom Eclipse CS features a large general-purpose nozzle/needle combination. Still maintaining fine-line control, the Kustom Eclipse CS creates wide background sprays with fine atomization and control. Designed for spray metallic, pearlescent and base coat paints.

Code: K 9300 Ø 0.35 € 218,00

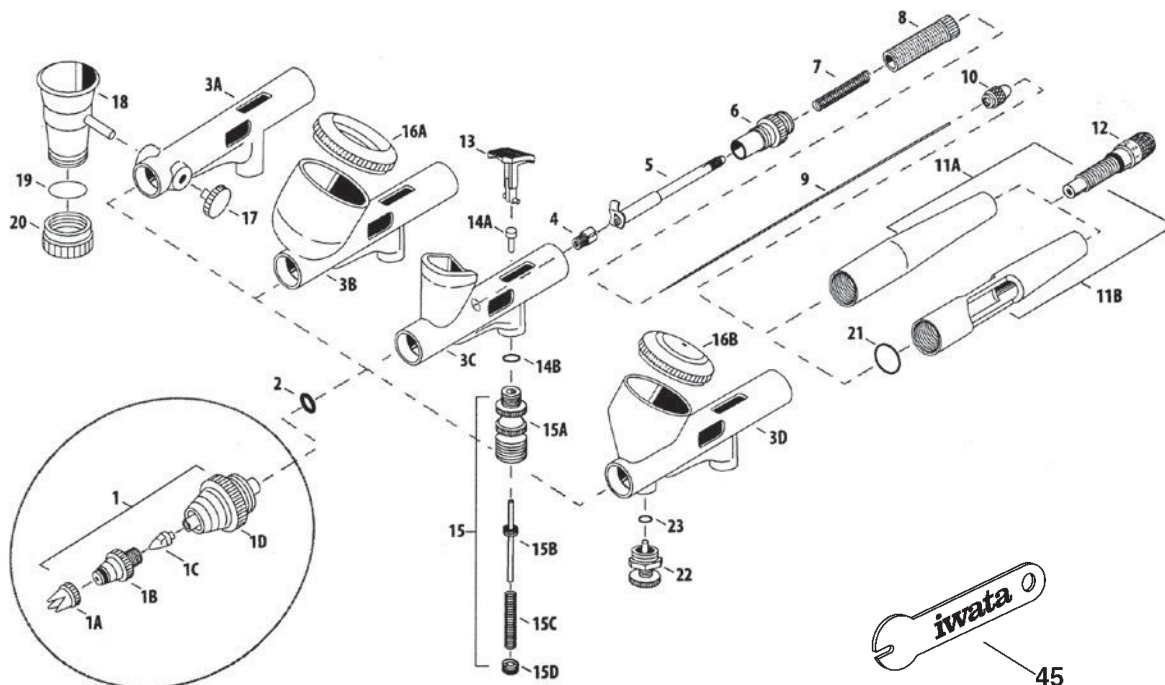
- Feed: Gravity
- Ø Fluid nozzle: 0.35 mm
- Needle packing: PTFE
- Cup capacity: 14 ml
- Type: Double Action





Custom Micron

Absolute Precision for the Elite Professional

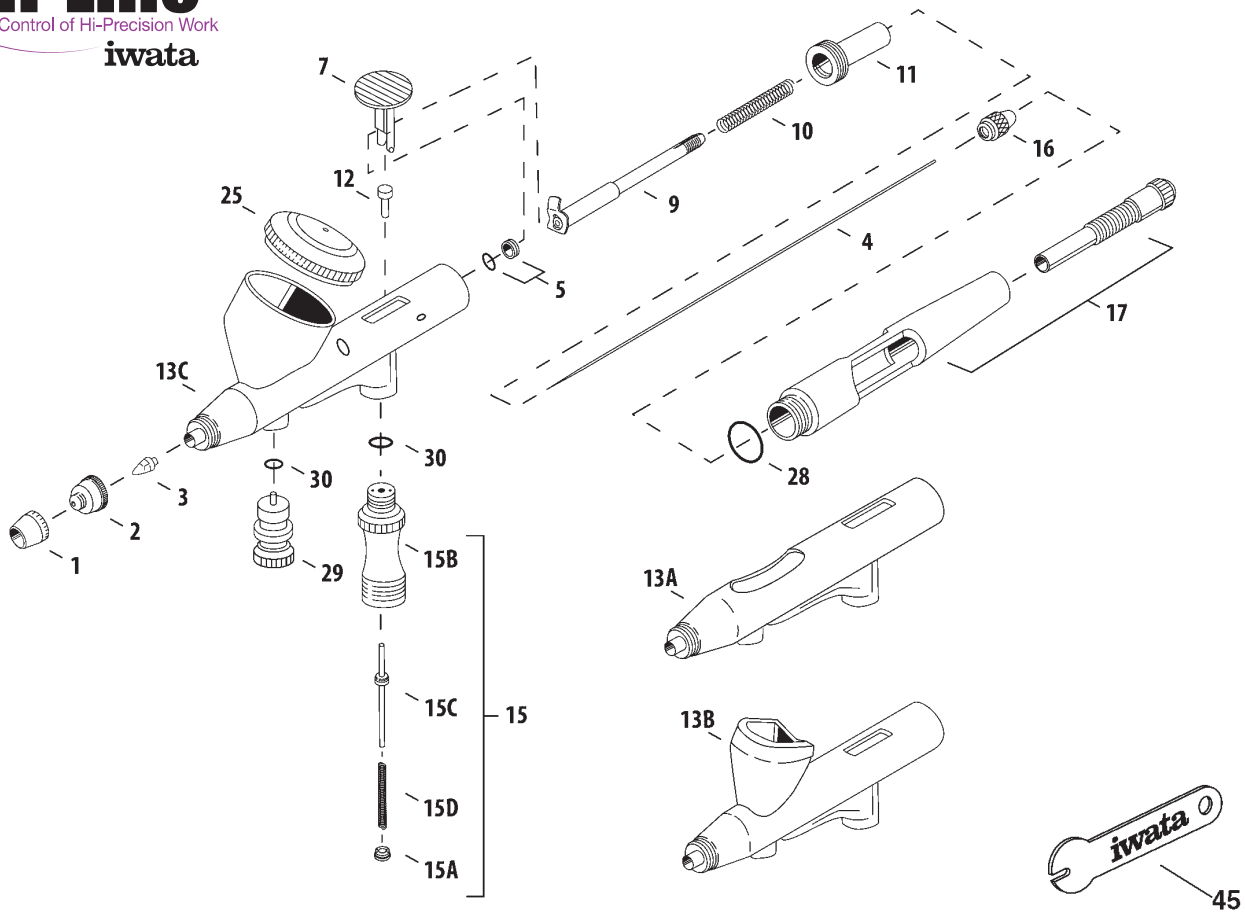


Custom Micron CM-C2 Plus / CM-C2 / CM-B2 / CM-SB2

CODE	DESCRIPTION	MODEL	REF.	SMP*
I 535 1	Fluid Head System 0.18 mm	HP-CM B/SB	1	194,90
I 535 2	Fluid Head System 0.23 mm	HP-CM C/CP	1	194,90
I 535 1D	Needle Crown Cap	HP-CM B/C/SB/CP	1A	23,80
I 535 1C	Nozzle Cap	HP-CM B/SB	1B	46,40
I 535 2C	Nozzle Cap 0.23 mm	HP-CM C/CP	1B	46,40
I 535 1B	Fluid Nozzle 0.18 mm	HP-CM B/SB	1C	70,20
I 535 2B	Nozzle Set 0.23 mm	HP-CM C/CP	1C	70,20
I 535 1A	Head Cap	HP-CM B/C/SB/CP	1D	125,80
I 580 2	O Ring	HP-CM B/C/SB/CP	2	15,50
-	Gun Body	All Models	3 A-B-C-D	N.A.
I 590 2	Needle Packing Set (PTFE)	HP-CM CP	4	23,80
I 115 7	Needle Chucking Guide w/aux. lever	HP-CM B/SB	5	15,50
I 115 1	Needle Chucking Guide w/aux. lever	HP-CM C/CP	5	15,50
I 590 3	Spring Guide	HP-CM B/C/SB/CP	6	0,00
I 570 1	Needle Spring	HP-CM B/C/SB/CP	7	11,40
I 575 1	Needle Spring Adj.	CM B/C/SB/CP	8	36,10
I 540 4	Fluid Needle 0.18 mm	HP-CM B/SB	9	29,90
I 540 2	Fluid Needle 0.23 mm	HP-CM C	9	29,90
I 540 3	Fluid Needle 0.23 mm	HP-CM CP	9	29,90
I 540 5	Fluid Needle 0.18 mm	HP-CM CP (Opt.)	9	29,90
I 560 1	Needle Chucking Nut	HP-CM B/C/SB/CP	10	11,40
I 585 4	Preset Cap Handle Set	HP-CM CP	11B	46,40
I 585 5	Preset Cap Handle Set (Single)	HP-CM B/C/SB	11A	46,40

CODE	DESCRIPTION	MODEL	REF.	SMP*
I 545 4	Main Lever	HP-CM B/C/SB/CP	13	40,30
I 500 1	Air Piston	HP-CM B/C/SB/CP	14A	11,40
I 580 1	O Ring (2 Pcs.)	HP-CM B/C/SB/CP	14B	11,40
I 510 1	Air Valve Set	HP-CM B/C/SB/CP	15	68,10
I 510 2	Air Valve Body	HP-CM B/C/SB/CP	15A	12,40
I 505 1	Air Valve	HP-CM B/C/SB/CP	15B	12,40
I 510 4	Air Valve Spring	HP-CM B/C/SB/CP	15C	11,40
I 510 3	Air Valve Guide	HP-CM B/C/SB/CP	15D	12,40
I 530 1	Lid Cup 20Cc	HP-CM C	16A	29,90
I 618 1	Lid Cup	HP-CM CP	16B	15,50
I 045 2	Blanking Cover	HP-CM SB	17	7,30
I 070 3	Side Cup 1/8 Oz.	HP-CM SB	18	46,40
I 070 4	Side Cup W/Lid 1/4 Oz.	HP-CM SB	18	46,40
I 150 5	Lower Lid Packing	HP-CM SB	19	7,30
I 095 6	Lower Lid 1/8 Oz.	HP-CM SB	20	12,40
I 095 7	Lower Lid 1/4 Oz.	HP-CM SB	20	11,40
I 605 1	Handle Packing (O Ring)	HP-CM CP	21	7,30
I 190 1	Air Control Valve	HP-CM CP	22	23,80
I 190 2	O Ring	HP-CM CP	23	7,30
I 165 1	Spanner	HP-CM B/C/SB/CP	45	7,30
I 160 3	Quick Fit Set (Qd & Adaptor)	HP-CM B/C/SB/CP	opt.	20,70
I 160 4	QUICK FIT ADAPTOR	HP-CM B/C/SB/CP	opt.	9,30
J 001	Adaptor (Iwata Airbrushes To Paasche Air Hose)	HP-CM B/C/SB/CP	opt.	12,40
J 002	Adaptor Iwata Airbrushes	HP-CM B/C/SB/CP	opt.	12,40





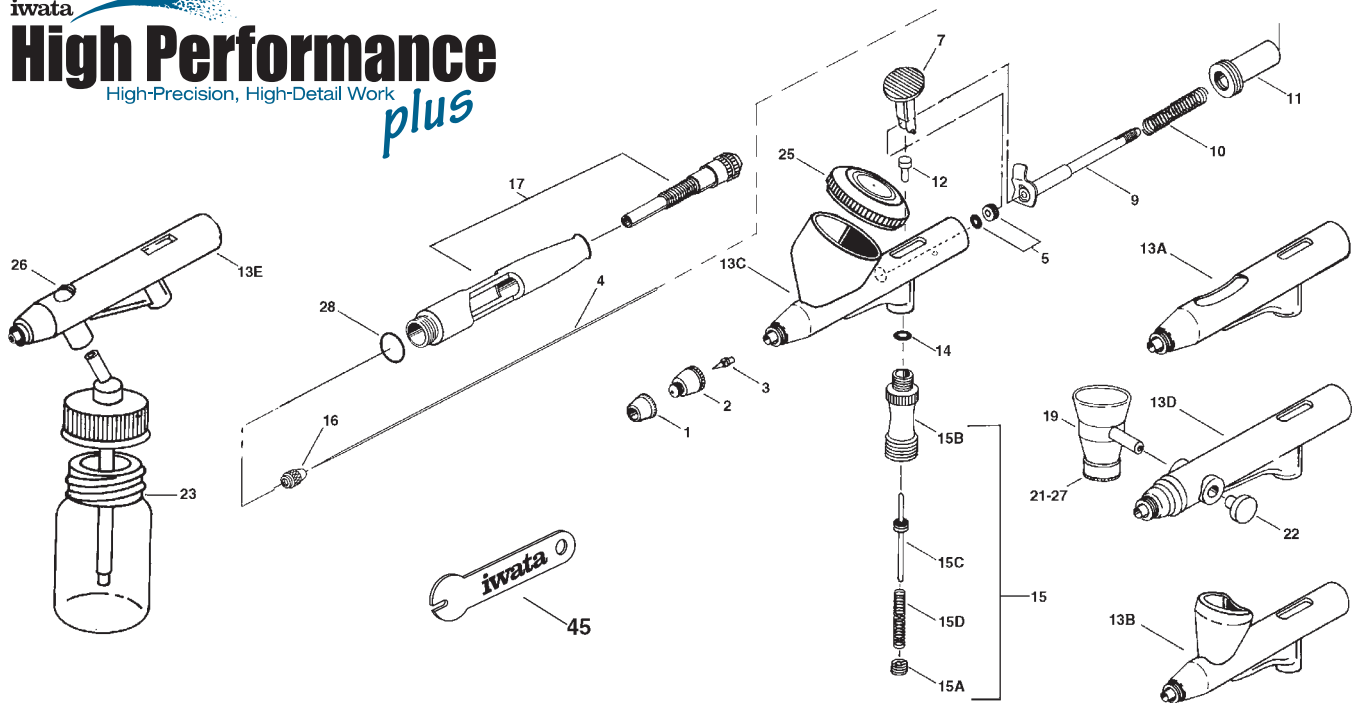
HI-Line HP-AH / HP-BH / HP-CH

CODE	DESCRIPTION	MODEL	REF.	SMP*
I 110 1	Needle Cap	HP-AH/HP-BH	1	11,40
I 110 2	Needle Cap	HP-CH	1	11,40
I 140 7	Nozzle Cap	HP-AH/HP-BH	2	23,80
I 140 3	Nozzle Cap 0.30 mm	HP-CH	2	23,80
I 080 7	Nozzle Set 0.20 mm	HP-AH/HP-BH	3	46,40
I 080 8	Nozzle Set 0,30 mm	HP-CH	3	46,40
I 075 1	Fluid Needle 0.20 mm	HP-AH/HP-BH	4	15,50
I 075 3	Fluid Needle 0.30 mm	HP-CH	4	15,50
I 725 1	Needle Packing Set (PTFE)	HP-AH/HP-BH	5	11,40
I 125 7	Needle Packing Set (PTFE)	HP-CH	5	11,40
I 100 2	Main Lever	HP-AH/HP-BH/HP-CH	7	23,80
I 115 7	Needle Chucking Guide W/Auxiliary Lever	HP-AH/HP-BH	9	15,50
I 715 1	Needle Chucking Guide W/ Auxiliary Lever	HP-CH	9	15,50
I 135 2	Needle Spring	HP-AH/HP-BH	10	7,30
I 135 1	Needle Spring	HP-CH	10	7,30
I 770 1	Spring Guide	HP-AH/HP-BH/HP-CH	11	11,40
I 175 1	Piston	HP-AH/HP-BH/HP-CH	12	7,30
-	Gun Body	All Models	13 A-B-C	N.A.

CODE	DESCRIPTION	MODEL	REF.	SMP*
I 030 1	Air Valve Set	HP-AH/HP-BH	15	46,40
I 030 4	Air Valve Set	HP-CH	15	46,40
I 025 1	Air Valve Guide	HP-AH/HP-BH/HP-CH	15A	7,30
I 020 1	Air Valve Body	HP-AH/HP-BH/HP-CH	15B	23,80
I 015 1	Air Valve	HP-AH/HP-BH	15C	11,40
I 015 4	Air Valve	HP-CH	15C	11,40
I 035 1	Air Valve Spring	HP-AH/HP-BH/HP-CH	15D	7,30
I 120 1	Needle Chucking Nut	HP-AH/HP-BH/HP-CH	16	7,30
I 155 6	Preset Cap Handle Set	HP-AH/HP-BH/HP-CH	17	46,40
I 618 1	Lid Cup	HP-CH	25	15,50
I 605 1	O Ring (2 Pcs.)	HP-AH/HP-BH/HP-CH	28	7,30
I 190 1	Air Control Valve	HP-AH/HP-BH/HP-CH	29	23,80
I 190 2	O Ring	HP-AH/HP-BH/HP-CH	30	7,30
I 165 1	Spanner	HP-AH/HP-BH/HP-CH	45	7,30
I 160 3	Quick Fit Set (Qd & Adaptor)	HP-AH/HP-BH/HP-CH	opt.	20,70
I 160 4	Quick Fit Adaptor	HP-AH/HP-BH/HP-CH	opt.	9,30
J 001	Adaptor (Iwata Airbrushes To Paasche Air Hose)	HP-AH/HP-BH/HP-CH	opt.	12,40
J 002	Adaptor (Iwata Airbrushes To T.B.C./Paasche Air Hose)	HP-AH/HP-BH/HP-CH	opt.	12,40



iwata
High Performance
High-Precision, High-Detail Work
plus



HI Performance Plus

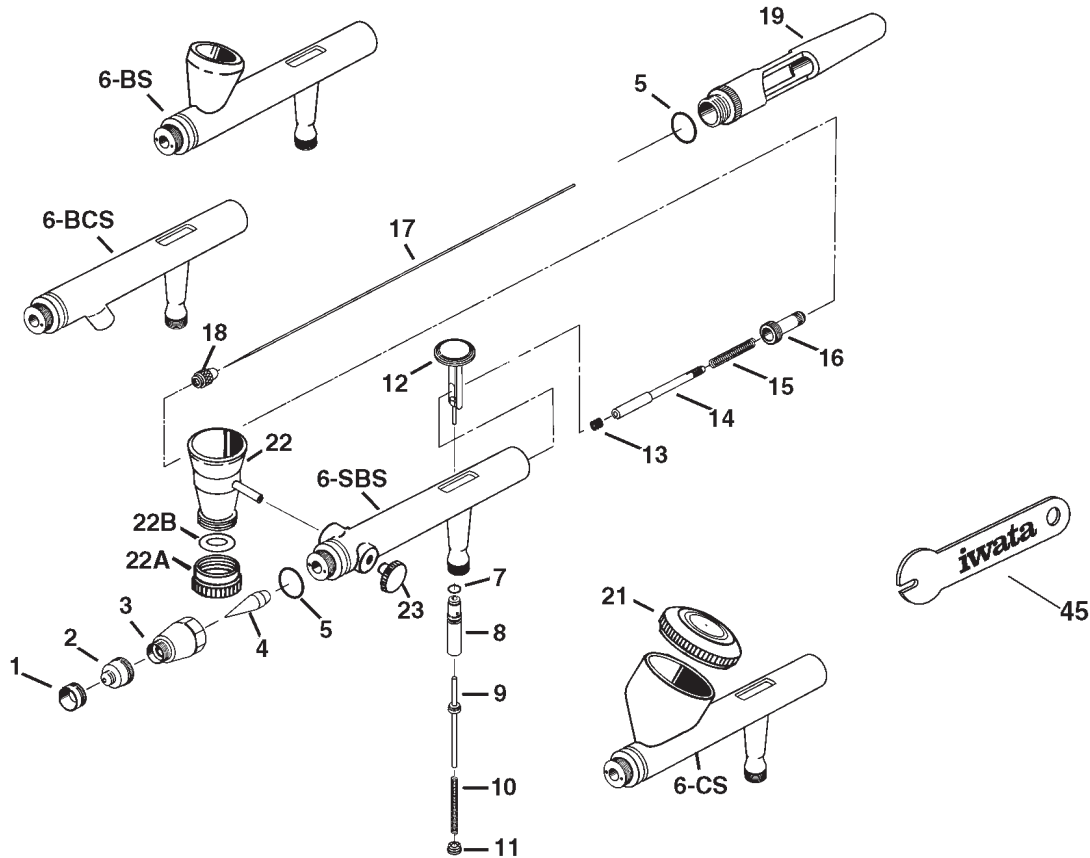
HP-AP /HP-BP / HP-BCP / HP-SBP

CODE	DESCRIPTION	MODEL	REF.	SMP*
I 110 1	Needle Cap	HP-AP/BP/SBP	1	11,40
I 110 2	Needle Cap	HP-CP/BCP	1	11,40
I 140 1	Nozzle Cap 0.2 mm	HP-AP/BP/SBP	2	23,80
I 140 3	Nozzle Cap 0.30 mm	HP-CP/BCP	2	23,80
I 080 7	Fluid Nozzle Set 0.2 mm	HP-AP/BP/SBP	3	46,40
I 080 8	Nozzle Set 0.30 mm	HP-CP/BCP	3	46,40
I 075 1	Fluid Needle 0.2 mm	HP-AP/BP/SBP	4	15,50
I 075 3	Fluid Needle 0.30 mm	HP-CP/BCP	4	15,50
I 125 7	Needle Packing Set (PTFE)	HP-CP/BCP	5	11,40
I 725 1	Needle Packing Set (PTFE)	HP-AP/BP/SBP	5	11,40
I 100 1	Main Lever	HP-AP/BP/SBP	7	23,80
I 100 2	Main Lever	HP-CP	7	23,80
I 100 3	Main Lever Piston	HP-BCP	7	46,40
I 115 7	Needle Chucking Guide W/ Auxiliary Lever	HP-AP/BP/SBP	9	15,50
I 715 1	Needle Chucking Guide W/ Auxiliary Lever	HP-CP/BCP	9	15,50
I 135 2	Needle Spring	HP-AP/BP/SBP	10	7,30
I 135 3	Needle Spring	HP-CP/BCP	10	7,30
I 170 6	Spring Guide	HP-AP/BP/SBP	11	15,50
I 770 1	Spring Guide	HP-CP/BCP	11	11,40
I 175 1	Piston	HP-AP/BP/CP/SBP	12	7,30
-	Gun Body	All Models	13 A-B-C D-E	N.A.
I 145 1	Air Valve Packing	HP-AP/BP/CP/SBP/BCP	14	7,30
I 030 1	Air Valve Set	HP-AP/BP/SBP	15	46,40
I 030 4	Air Valve Set	HP-CP/BCP	15	46,40

CODE	DESCRIPTION	MODEL	REF.	SMP*
I 015 1	Air Valve	HP-AP/BP/CP/SBP/BCP	15C	11,40
I 015 4	Air Valve	HP CP/HP BCP	15C	11,40
I 035 1	Air Valve Spring	HP-AP/BP/CP/SBP/BCP	15D	7,30
I 120 1	Needle Chucking Nut	HP-AP/BP/CP/SBP/BCP	16	7,30
I 155 5	Preset Cap Handle Set	HP-AP/BP/SBP	17	46,40
I 155 6	Preset Cap Handle Set	HP-CP/BCP	17	46,40
I 070 3	Side Cup 1/8 Oz.	HP-SBP	19	46,40
I 070 4	Side Cup W/Lid 1/4 Oz.	HP-SBP	19	46,40
I 070 6	Gravity Cup 1/2 Oz.	HP-SBP	19	46,40
I 095 6	Lower Lid	HP-SBP	21	12,40
I 045 2	Blanking Cover	HP-SBP	22	7,30
I 405 2	Glass Bottle Set W/Lid 3/4 Oz.	HP-BCP	23	46,40
I 618 1	Lid Cup	HP-CP	25	15,50
I 095 7	Lid	HP-SBP	25	11,40
I 045 1	Blanking Screw	HP-BCP	26	11,40
I 605 1	O Ring (2 Pcs.)	HP-AP/BP/CP/SBP/BCP	28	7,30
I 165 1	Spanner	HP-AP/BP/CP/SBP/BCP	45	7,30
I 195 1	Conversion Kit (Nozzle 0.3Mm To 0.4 mm)	HP-CP/BCP		94,90
I 105 0	Crown Cap	HP-AP/BP/CP/SBP/BCP		23,80
I 160 3	Quick Fit Set (Qd & Adaptor)	HP-AP/BP/CP/SBP/BCP		20,70
I 160 4	Quick Fit Adaptor	HP-AP/BP/CP/SBP/BCP		9,30
J 001	Adaptor (Iwata Airbrushes To Paasche Air Hose)	HP-AP/BP/CP/SBP/BCP		12,40
J 002	Adaptor (Iwata Airbrushes To T&C/Badger Air Hoses)	HP-AP/BP/CP/SBP/BCP		12,40
I 450 1S	Side-Feed Bottle 1 oz. - Clear	HP-SBP		10,40
I 450 2S	Side-Feed Bottle 2 oz. - Clear	HP-SBP		10,40
I 470 1S	Side-Feed Bottle 1 oz. - Hs	HP-SBP		10,40

iwata Eclipse

Ultimate Versatility, Reliability and Performance



Eclipse HP-BS / HP-CS / HP-SBS / HP-BCS

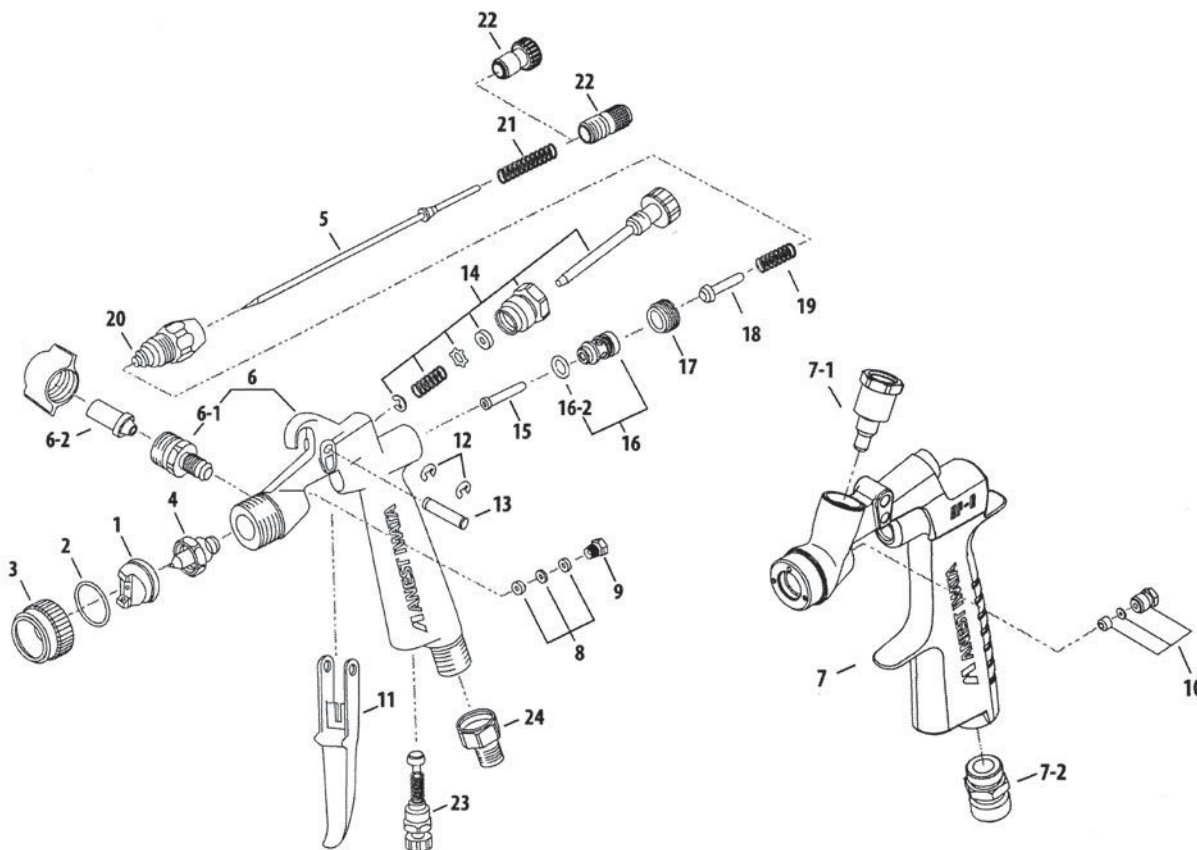
CODE	DESCRIPTION	MODEL	REF.	SMP*
I 601 1	Needle Cap	HP-BS/CS/BCS/SBS	1	7,30
I 105 0	Crown Cap (Opt)	HP-BS/CS/BCS/SBS	1	23,80
I 602 1	Nozzle Cap 0.50 mm	HP-BCS	2	11,40
I 602 2	Nozzle Cap 0.35 mm	HP-BS/CS/SBS	2	15,50
I 603 1	Head Cap	HP-BS/CS/BCS/SBS	3	15,50
I 604 1	Nozzle Set 0.50 mm	HP-BCS	4	15,50
I 604 2	Nozzle Set 0.35 mm	HP-BS/CS/SBS	4	29,90
I 605 1	O Ring (2 Pcs.)	HP-BS/CS/BCS/SBS	5	7,30
-	Gun Body	All Models	6	N.A.
I 580 1	O Ring (2 Pcs.)	HP-BS/CS/BCS/SBS	7	11,40
I 608 1	Air Valve Guide	HP-BS/CS/BCS/SBS	8	11,40
I 609 1	Air Valve	HP-BS/CS/BCS/SBS	9	7,30
I 510 4	Air Valve Spring	HP-BS/CS/SBS	10	11,40
I 611 1	Air Valve Guide Screw	HP-BS/CS/BCS/SBS	11	7,30
I 612 1	Main Lever	HP-BS/CS/BCS/SBS	12	15,50
I 125 7	Needle Packing Set (PTFE)	HP-BS/CS/BCS/SBS	13	11,40
I 715 1	Needle Chucking Guide	HP-BS/CS/BCS/SBS	14	15,50

CODE	DESCRIPTION	MODEL	REF.	SMP*
I 135 1	Needle Spring	HP-BS/CS/SBS	15	7,30
I 135 2	Needle Spring	HP-BCS	15	7,30
I 170 2	Spring Guide	HP-BS/CS/BCS/SBS	16	15,50
I 617 1	Needle Set 0.5 mm	HP-BCS	17	11,40
I 617 2	Needle Set 0.35 mm	HP-BS/CS/SBS	17	11,40
I 120 1	Needle Chucking Nut	HP-BS/CS/BCS/SBS	18	7,30
I 619 1	Single Cut Handle	HP-BS/CS/BCS/SBS	19	29,90
I 155 2	Pre-Set Handle (Opt)	HP-BS/CS/BCS/SBS	19	46,40
I 618 1	Lid Cup	HP-CS	21	15,50
I 070 3	Side Cup 1/8 Oz.	HP-SBS	22	46,40
I 070 4	Side Cup W/Lid 1/4 Oz.	HP-CS	22	46,40
I 095 6	Lower Lid	HP-SBS	22 A	12,40
I 150 5	Lower Lid Packing	HP-SBS	22 B	7,30
I 045 2	Blanking Cover	HP-SBS	23	7,30
I 160 3	Quick Fit Set	HP-BS/CS/BCS/SBS		20,70
I 160 4	Quick Fit Adaptor	HP-BS/CS/BCS/SBS		9,30
I 470 1P	Translucent Plastic Bottle 1 oz.	HP-BCS		8,30
I 165 1	Spanner	HP-BS/CS/BCS/SBS	45	7,30



iwata Eclipse

Ultimate Versatility, Reliability and Performance



Eclipse HP-G3 / HP-G5

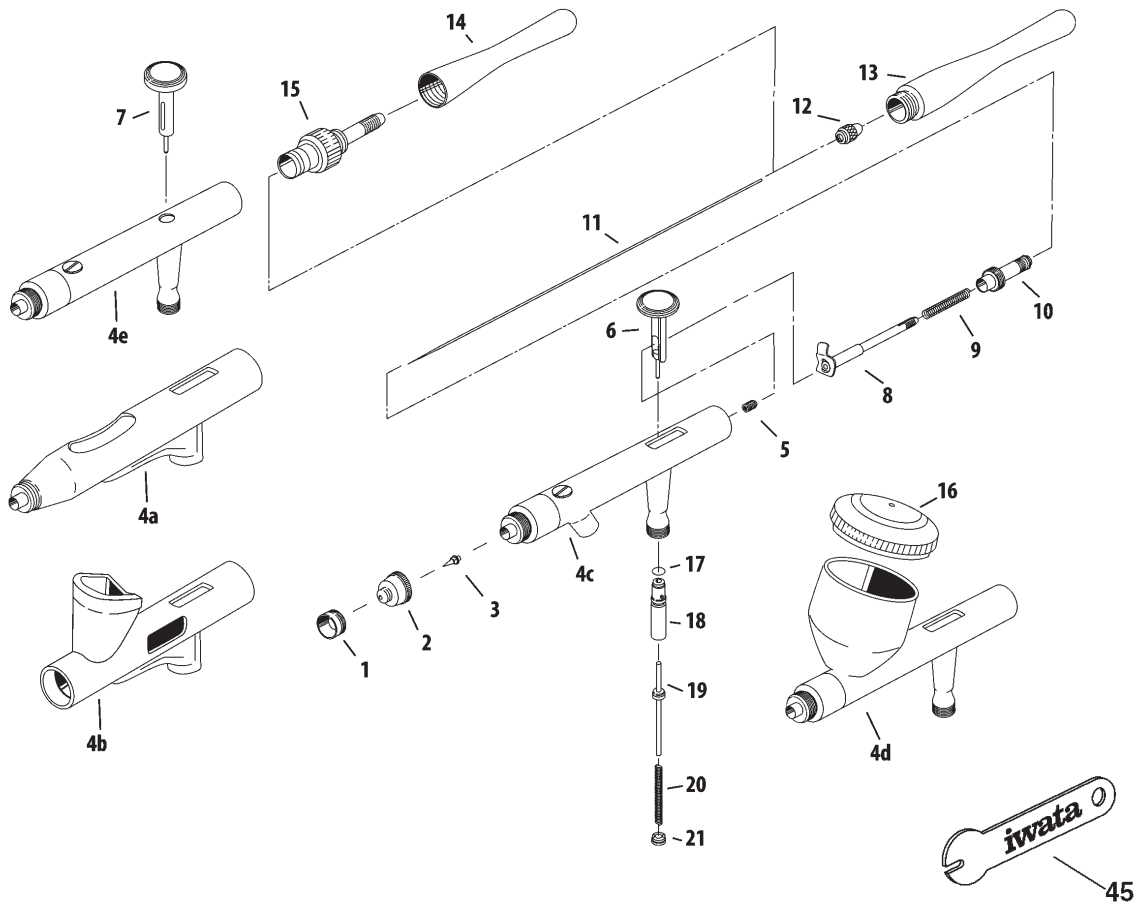
CODE	DESCRIPTION	MODEL	REF.	SMP*
I 600 4	Air Cap 0.3 mm	HP-G3	1	125,80
I 600 5	Air Cap 0.5 mm	HP-G5	1	125,80
I 600 2	Air Cap Packing	HP-G3/G5	2	7,30
I 600 3	Air Cap Cover Ring	HP-G3/G5	3	15,50
I 604 5	Nozzle Set 0.3 mm	HP-G3	4	94,90
I 604 6	Nozzle Set 0.5 mm	HP-G5	4	94,90
I 617 5	Needle Set	HP-G3/G5	5	40,30
-	Gun Body	HP-G3/G5	7	N.A.
I 650 1	Fluid Nipple	HP-G3/G5	7-1	23,70
I 680 1	Air Nipple	HP-G3/G5	7-2	11,40
I 640 1	Needle Packing Set	HP-G3/G5	10	23,80
I 233 1	Trigger	HP-G3/G5	11	17,50
I 332 1	E Stopper (2 Pcs./Pk)	HP-G3/G5	12	8,20
I 234 1	Trigger Stud	HP-G3/G5	13	8,20
I 625 2	Pattern Adj. Set	HP-G3/G5	14	70,10
I 202 3	Air Valve Shaft	HP-G3/G5	15	17,50
I 205 2	Air Valve Seat Set	HP-G3/G5	16	43,30
I 660 1	O Ring	HP-G3/G5	16-2	7,20
I 205 2	Air Valve Seat Screw	HP-G3/G5	17	8,20

CODE	DESCRIPTION	MODEL	REF.	SMP*
I 202 2	Air Valve	HP-G3/G5	18	17,50
I 206 2	Air Valve Spring	HP-G3/G5	19	8,20
I 208 2	Fluid Adj. Guide Set	HP-G3/G5	20	43,30
I 225 2	Needle Spring	HP-G3/G5	21	12,40
I 670 1	Fluid Adj. Knob	HP-G3/G5	22	15,50
I 626 2	Air Adjustment	HP-G3/G5	23	40,20
14018180D	PC 51 D Cup (220 ml)	HP-G3/G5		38,00
14018190D	PC 61 D Cup (130 ml)	HP-G3/G5		34,00



iwata Revolution

Quality, Performance and Value



Revolution HP-AR / HP-BR / HP-CR / HP-SAR / HP-BCR

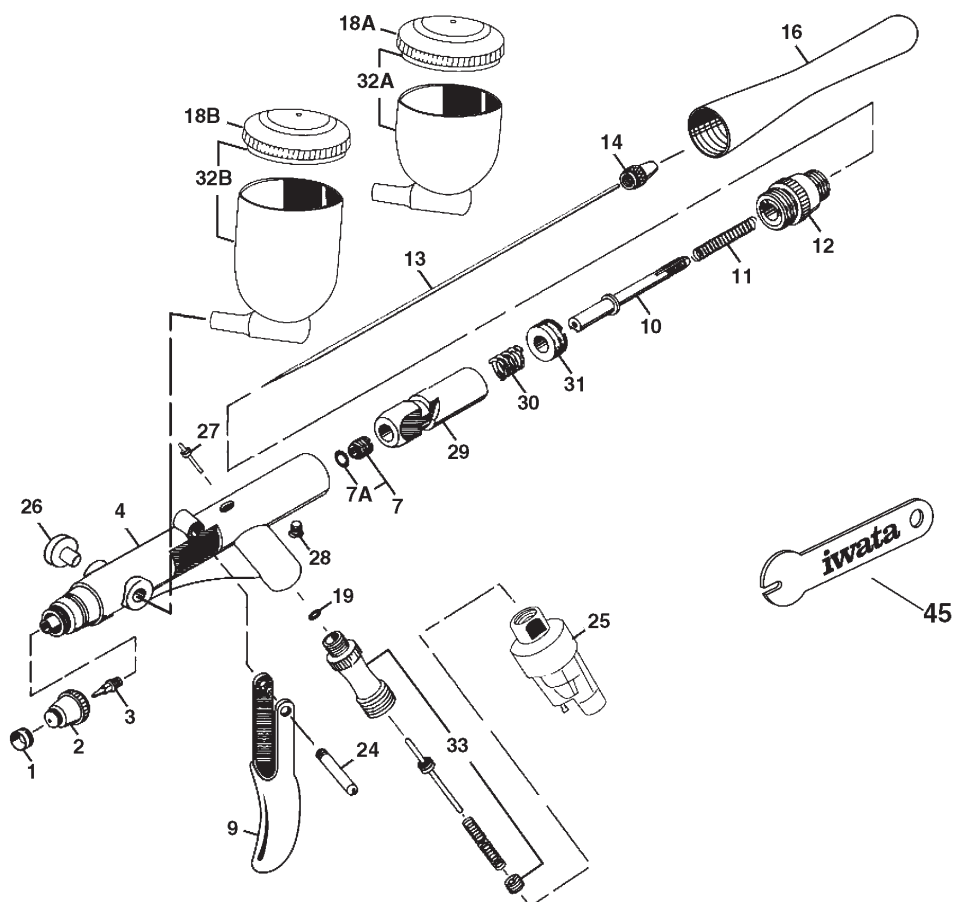
CODE	DESCRIPTION	MODEL	REF.	SMP*
I 701 1	Needle Cap 0.5 mm	HP-CR/BCR/SAR	1	7,30
I 701 2	Needle Cap 0.3 mm	HP-AR/BR	1	7,30
I 702 1	Nozzle Cap 0.5 mm	HP-CR/BCR/SAR	2	15,50
I 702 2	Nozzle Cap 0.30 mm	HP-AR/BR	2	15,50
I 704 1	Nozzle Set 0.5mm	HP-CR/BCR/SAR	3	29,90
I 704 2	Nozzle Set 0.30 mm	HP-AR/BR	3	29,90
-	Gun Body	All Models	4 A-B-C D-E	N.A.
I 125 7	Needle Packing Set (Ptfe)	HP-CR/BCR/SAR	5	11,40
I 725 1	Needle Packing Set (Ptfe)	HP-AR/BR	5	11,40
I 612 1	Main Lever	HP-AR/BR/CR/BCR	6	15,50
I 612 2	Main Lever	HP-SAR	7	11,40
I 115 7	Needle Chucking Guide W/ Auxiliary Lever	HP-AR/BR/SAR	8	15,50
I 115 1	Needle Chucking Guide W/ Auxiliary Lever	HP-CR/BCR	8	15,50
I 135 1	Needle Spring	HP-AR/BR/CR/BCR	9	7,30
I 770 1	Spring Guide	HP-AR/BR/CR/BCR	10	11,40

CODE	DESCRIPTION	MODEL	REF.	SMP*
I 617 1	Needle 0.5 mm	HP-CR/BCR/SAR	11	11,40
I 717 3	Needle 0.3 mm	HP-AR/BR	11	11,40
I 120 1	Needle Chucking Nut	HP-AR/BR/CR/BCR/SAR	12	7,30
I 719 1	Ergonomic Handle	HP-AR/BR/CR/BCR	13	23,80
I 719 2	Ergonomic Handle	HP-SAR	14	23,80
I 155 2	Preset Handle	HP-AR/BR/CR/BCR	13	46,40
I 155 6	Preset Cut-Away Handle	HP-AR/BR/CR/BCR	13	46,40
I 722 1	Fluid Adj. Knob	HP-SAR	15	23,80
I 718 1	Lid Cup	HP-CR	16	15,50
I 580 1	O Ring	HP-AR/BR/CR/BCR/SAR	17	11,40
I 608 1	Air Valve Guide	HP-AR/BR/CR/BCR/SAR	18	11,40
I 609 1	Air Valve	HP-AR/BR/CR/BCR/SAR	19	7,30
I 035 1	Air Valve Spring	HP-AR/BR/CR/BCR/SAR	20	7,30
I 611 1	Air Valve Guide Screw	HP-AR/BR/CR/BCR/SAR	21	7,30
I 765 1	Spanner	HP-AR/BR/CR/BCR/SAR	45	7,30
I 470 1P	Translucent Plastic Bottle 1Oz.	HP BCR		8,30



iwata Revolution

Quality, Performance and Value



Revolution HP-TR0 / HP-TR1 / HP-TR2

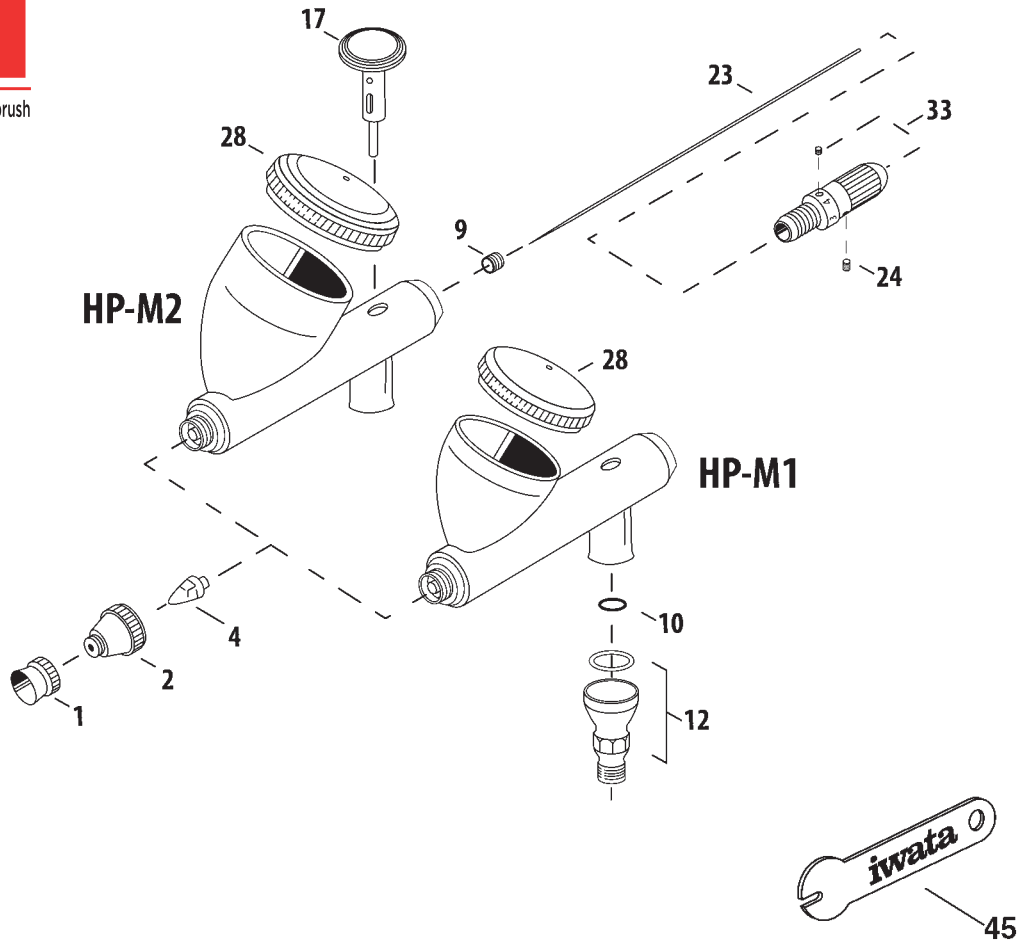
CODE	DESCRIPTION	MODEL	REF.	SMP*
I 701 2	Needle Cap 0.3 mm	HP-TR1	1	7,30
I 701 1	Needle Cap 0.5 mm	HP-TR2	1	7,30
I 702 2	Nozzle Cap 0.30 mm	HP-TR1	2	15,50
I 702 1	Nozzle Cap 0.5 mm	HP-TR2	2	15,50
I 704 2	Nozzle Set 0.30 mm	HP-TR1	3	29,90
I 704 1	Nozzle Set 0.5 mm	HP-TR2	3	29,90
-	Gun Body	All Models	4	N.A.
I 725 2	Needle Packing Screw	HP-TR1/HP-TR2	7	15,50
I 150 2	Needle Packing O Ring	HP-TR1/HP-TR2	7A	7,30
I 145 1	Air Valve Packing	HP-TR1/HP-TR2	19	7,30
I 712 1	Air Valve Set	HP-TR1/HP-TR2	33	46,40
I 713 1	Valve Rod	HP-TR1/HP-TR2	27	15,50
I 714 1	Trigger	HP-TR1/HP-TR2	9	94,90
I 715 2	Needle Chucking Guide	HP- TR1/HP-TR2	10	40,30
I 770 3	Spring	HP-TR1/HP-TR2	11	7,30

CODE	DESCRIPTION	MODEL	REF.	SMP*
I 717 4	Needle Set 0.30 mm	HP-TR1	13	15,50
I 717 5	Needle Set 0.5 mm	HP-TR2	13	15,50
I 120 2	Needle Chucking Nut	HP-TR1/HP-TR2	14	7,30
I 719 2	Ergonomic Handle	HP-TR1/HP-TR2	16	23,80
I 718 1	Lid Cup	HP-TR1	18a	15,50
I 718 2	Lid	HP-TR2	18b	40,30
I 720 1	Gravity Side Cup 1/3 Oz.	HP-TR1	32a	46,40
I 070 6	Gravity Side Cup 1/2 Oz.	HP-TR2	32b	46,40
I 045 2	Blanking Cover	HP-TR1/HP-TR2	26	7,30
I 730 1	Slide Cam	HP-TR1/HP-TR2	29	94,90
I 730 2	Slide Cam Spring	HP-TR1/HP-TR2	30	11,40
I 731 1	Main Body Ring	HP-TR1/HP-TR2	31	23,80
I 731 2	Screw	HP-TR1/HP-TR2	28	7,30
I 714 2	Trigger Stud	HP-TR1/HP-TR2	24	15,50
F A450	Pistol Grip Filter	HP-TR1/HP-TR2	25	37,20





Gravity-Feed Single-Action Airbrush

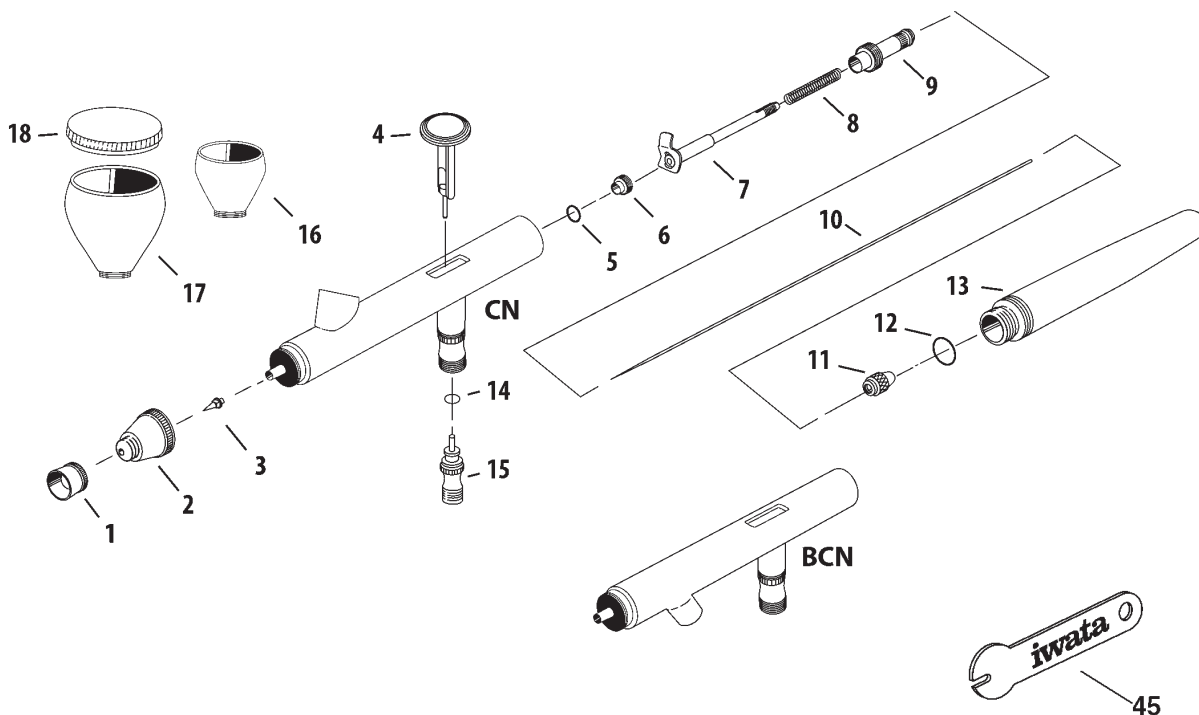


Mini Line HP-M1 / HP-M2

CODE	DESCRIPTION	MODEL	REF.	SMP**
I 701 4	Needle Cap 0.3 mm	HP-M1	1	7,30
I 701 5	Needle Cap 0.4 mm	HP-M2	1	7,30
I 702 4	Nozzle Cap 0.3 mm	HP-M1	2	15,50
I 702 5	Nozzle Cap 0.4 mm	HP-M2	2	15,50
I 704 4	Nozzle Set 0.3 mm	HP-M1	4	29,90
I 704 5	Nozzle Set 0.4 mm	HP-M2	4	29,90
I 725 4	Needle Packing Set (Ptfе)	HP-M1/M2	9	11,40
I 145 1	Piston O Ring	HP-M1/M2	10	7,30
I 712 2	Air Valve Set	HP-M1/M2	12	40,30
I 714 3	Main Lever	HP-M1/M2	17	15,50
I 717 6	Needle Set 0.3 mm	HP-M1	23	29,90
I 717 7	Needle Set 0.4 mm	HP-M2	23	29,90
I 715 3	Needle Chucking Nut	HP-M1/M2	24	7,30
I 718 3	Lid	HP-M1	28	15,50
I 718 4	Lid	HP-M2	28	15,50
I 722 2	Fluid Adj. Valve	HP-M1/M2	33	40,30

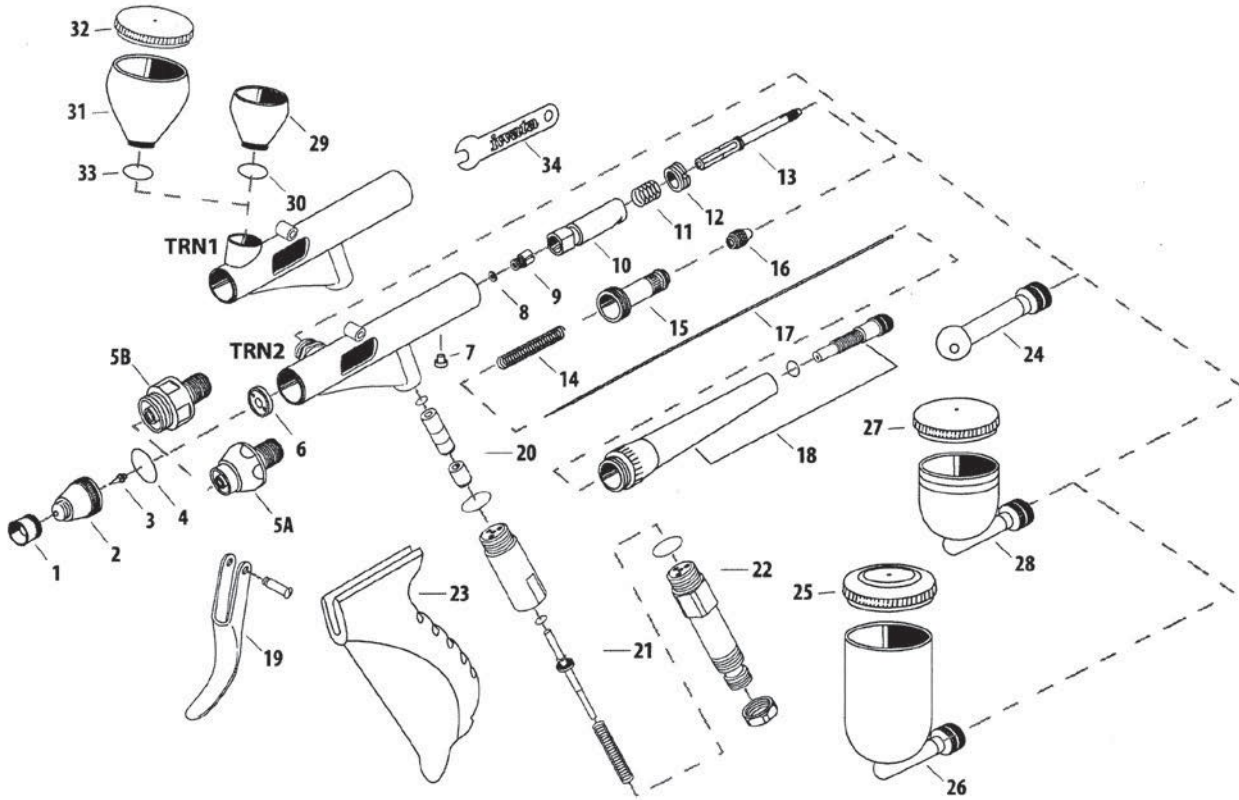


neo
for iwata



Neo HP-CN / HP-BCN

CODE	DESCRIPTION	MODEL	REF.	SMP*
N 110 1	Needle Cap	HP-CN/BCN	1	9,30
N 140 1	Nozzle Cap 0.35 mm	HP-CN	2	9,30
N 140 2	Nozzle Cap 0.5 mm	HP-BCN	2	9,30
N 080 1	Nozzle Set 0.35 Mm	HP-CN	3	17,60
N 080 2	Nozzle Set 0.5 Mm	HP-BCN	3	17,60
N 100 1	Main Lever	HP-CN/BCN	4	9,30
N 150 1	O Ring	HP-CN/BCN	5	9,30
N 125 1	Needle Packing Screw	HP-CN/BCN	6	9,30
N 115 1	Needle Chucking Guide	HP-CN/BCN	7	9,30
N 135 1	Needle Spring	HP-CN/BCN	8	9,30
N 170 1	Spring Guide	HP-CN/BCN	9	9,30
N 075 1	Needle Set 0.35 Mm	HP-CN	10	9,30
N 075 2	Needle Set 0.5 Mm	HP-BCN	10	9,30
N 120 1	Needle Chucking Nut	HP-CN/BCN	11	9,30
N 105 1	O Ring	HP-CN/BCN	12	9,30
N 090 1	Handle	HP-CN/BCN	13	19,60
N 150 2	O Ring	HP-CN/BCN	14	9,30
N 020 1	Air Valve Set	HP-CN/BCN	15	9,30
N 070 1	Cup 1/4 Oz.	HP-CN	16	19,60
N 070 4	Cup 1/2 Oz.	HP-CN	17	29,90
N 095 4	Lid Cup	HP-CN	18	9,30
I 470 1	Bottle Set (1 Oz./28 Ml)	HP-BCN	31	8,30

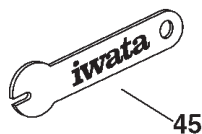
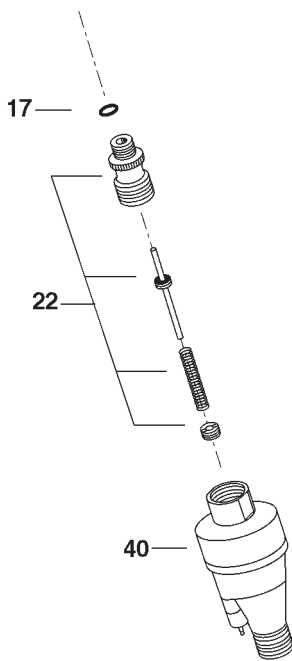
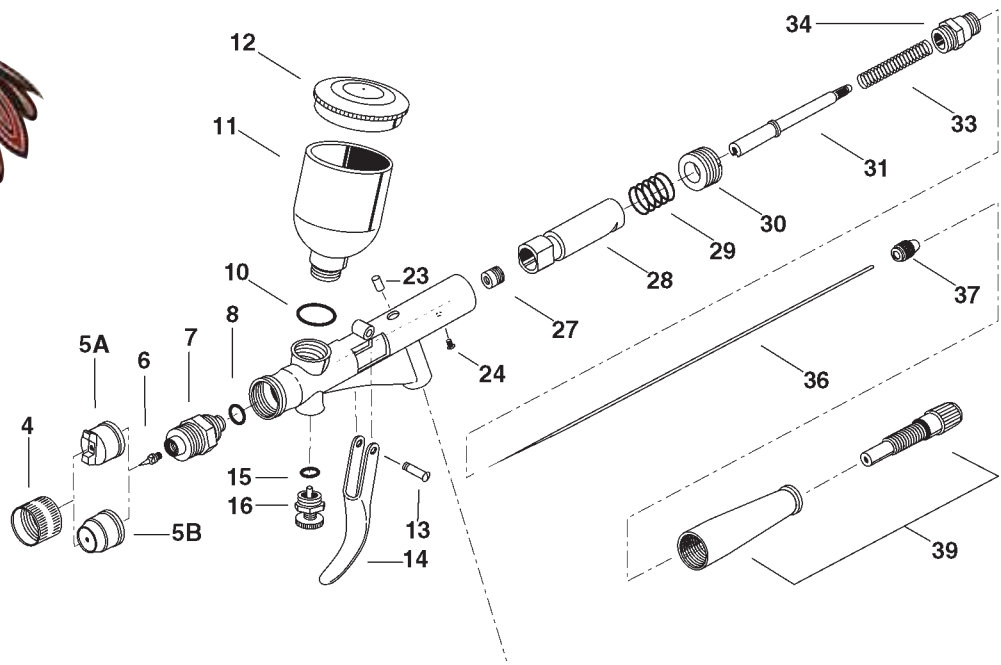


Neo Trigger HP-TRN1 / HP-TRN2

CODE	DESCRIPTION	MODEL	REF.	SMP*
N 110 2	Needle Cap	HP-TRN1/TRN2	1	9,30
N 140 4	Nozzle Cap 0,50 mm	HP-TRN2	2	9,30
N 140 3	Nozzle Cap 0,35 mm	HP-TRN1	2	9,30
N 080 4	Nozzle 0.50 mm	HP-TRN2	3	17,60
N 080 3	Nozzle 0.35 mm	HP-TRN1	3	17,60
N 150 4	O-Ring Nozzle Cap 0.50 mm	HP-TRN2	4	9,30
N 150 3	O-Ring Nozzle Cap 0,35 mm	HP-TRN1	4	9,30
N 135 3	Head Base	HP-TRN1	5A	9,30
N 135 4	Head Base	HP-TRN2	5B	9,30
N 150 5	O-Ring Head Base	HP-TRN1/TRN2	6	9,30
N 131 2	Main Body Ring Screw	HP-TRN1/TRN2	7	9,30
N 150 7	O-Ring Needle Packing	HP-TRN1/TRN2	8	9,30
N 125 2	Needle Packing Screw	HP-TRN1/TRN2	9	9,30
N 130 1	Slide Cam	HP-TRN1/TRN2	10	9,30
N 130 2	Spring Slide Cam	HP-TRN1/TRN2	11	9,30
N 131 1	Main Body Ring	HP-TRN1/TRN2	12	9,30
N 115 2	Needle Chucking Guide	HP-TRN1/TRN2	13	9,30
N 135 2	Spring Ndl Chk Guide	HP-TRN1/TRN2	14	9,30
N 170 2	Spring Guide	HP-TRN1/TRN2	15	9,30

CODE	DESCRIPTION	MODEL	REF.	SMP*
N 075 4	Needle 0.50 mm	HP-TRN2	17	9,30
N 075 3	Needle 0.35 mm	HP-TRN1	17	9,30
N 090 2	Handle Cap Set	HP-TRN1/TRN2	18	29,90
N 100 2	Trigger W/Trigger Screw	HP-TRN1/TRN2	19	9,30
N 010 1	Air Piston Set	HP-TRN1/TRN2	20	9,30
N 020 2	Air Valve Set	HP-TRN1/TRN2	21	19,60
N 160 1	Grip Mount/Extension	HP-TRN1/TRN2	22	29,90
N 160 2	Grip	HP-TRN1/TRN2	23	15,50
N 040 1	Bottle Adapter	HP-TRN2	24	19,60
N 095 2	Lid For 15Cc Side Cup	HP-TRN2	25	9,30
N 070 6	Side Cup 15Cc	HP-TRN2	26	9,30
N 095 3	Lid For 7Cc Side Cup	HP-TRN2	27	9,30
N 070 5	Side Cup 7Cc	HP-TRN2	28	29,90
N 070 3	Gravity Cup 3Cc	HP-TRN1	29	19,60
N 071 2	O-Ring For 3Cc Gravity Cup	HP-TRN1	30	9,30
N 070 4	Gravity Cup 7Cc	HP-TRN1	31	29,90
N 095 1	Lid For 7Cc Gravity Cup	HP-TRN1	32	9,30
N 071 3	O-Ring For 7Cc Gravity Cup	HP-TRN1	33	9,30
N 165 1	Spanner	HP-TRN1/TRN2	34	9,30

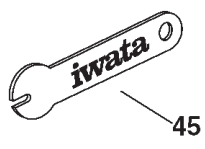
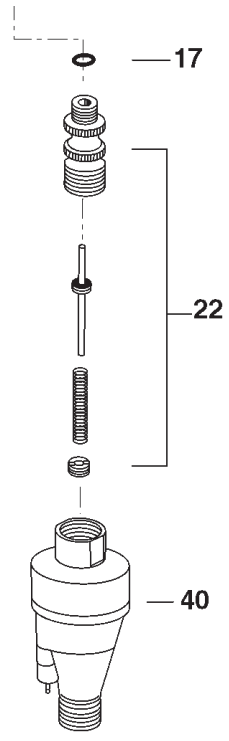
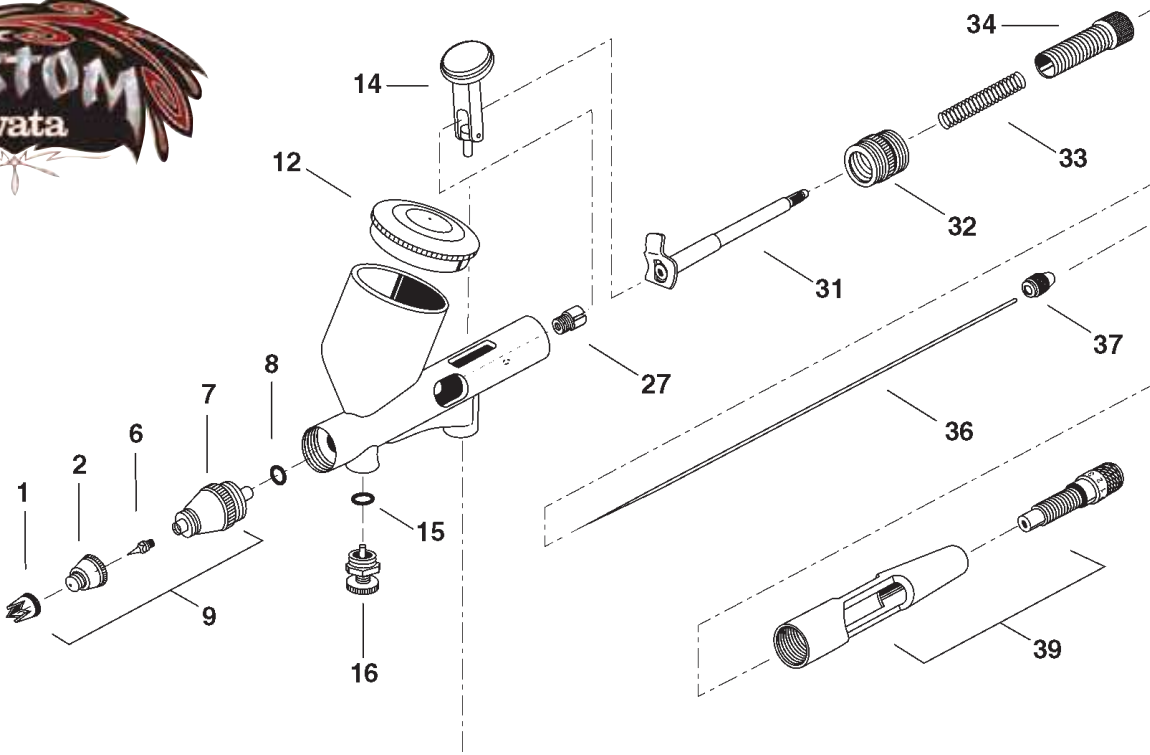




Kustom HP-TH

CODE	DESCRIPTION	MODEL	REF.	SMP*
I 110 7	Cover Ring	HP-TH	4	15,50
I 110 5	Air Cap (Flat Pattern)	HP-TH	5A	46,40
I 110 6	Air Cap (Round Pattern)	HP-TH	5B	46,40
I 081 1	Nozzle Set 0.50 mm	HP-TH	6	46,40
I 082 1	Head Cap	HP-TH	7	70,20
I 083 1	O Ring	HP-TH	8	7,30
I 150 7	Cup Packing	HP-TH	10	7,30
I 070 8	Cup Set	HP-TH	11	70,20
I 718 2	Lid	HP-TH	12	40,30
I 714 2	Trigger Stud	HP-TH	13	15,50
I 714 1	Trigger	HP-TH	14	94,90
I 190 2	O Ring	HP-TH	15	7,30
I 190 1	Air Control Valve	HP-TH	16	23,80
I 731 2	Screw	HP-TH	24	7,30
I 125 8	Needle Packing Set	HP-TH	27	23,80
I 730 1	Slide Cam	HP-TH	28	94,90
I 730 2	Slide Cam Spring	HP-TH	29	11,40
I 731 1	Main Body Ring	HP-TH	30	23,80
I 715 2	Needle Chucking Guide	HP-TH	31	40,30
I 770 3	Spring	HP-TH	33	7,30
I 170 7	Spring Guide	HP-TH	34	29,90
I 075 7	Fluid Needle 0.50 mm	HP-TH	36	15,50
I 120 1	Needle Chucking Nut	HP-TH	37	7,30
I 155 9	Preset Cap Handle Set	HP-TH	39	46,40
I 145 1	Air Valve Packing	HP-TH	17	7,30
I 712 1	Air Valve Set	HP-TH	22	46,40
I 713 1	Valve Rod	HP-TH	23	15,50
F A450	Pistol Grip Filter	All Models	40	37,20
I 165 1	Spanner	HP-TH	45	7,30

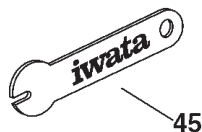
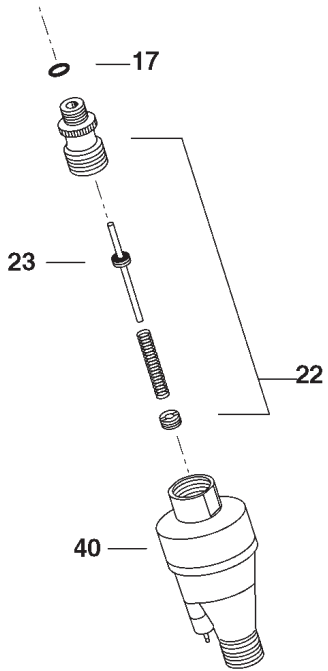
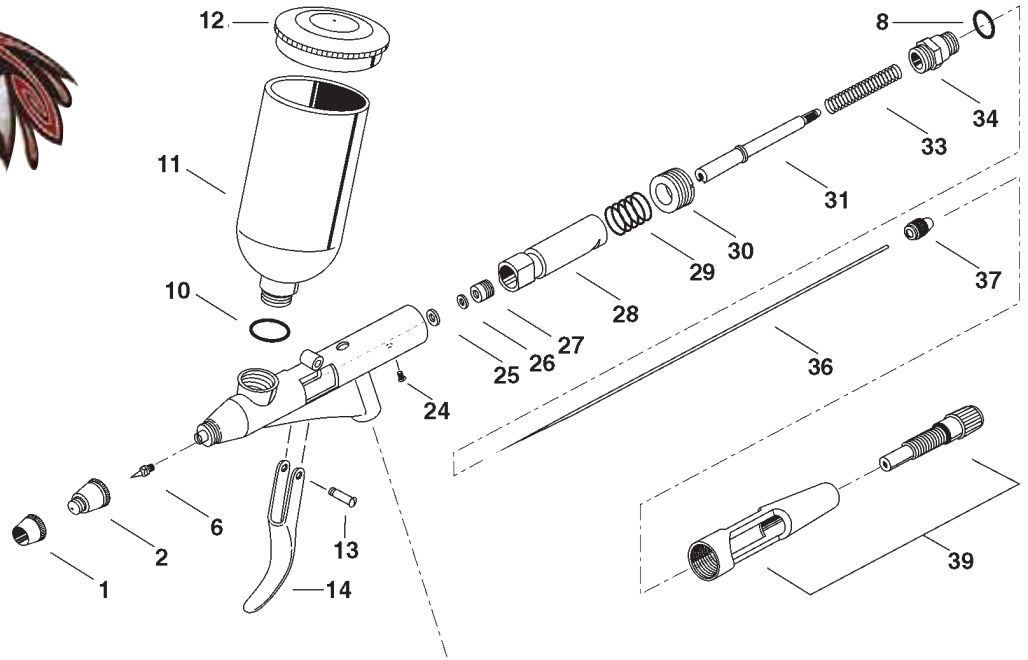




Kustom Micron HP-CM

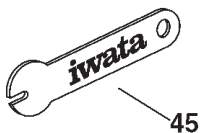
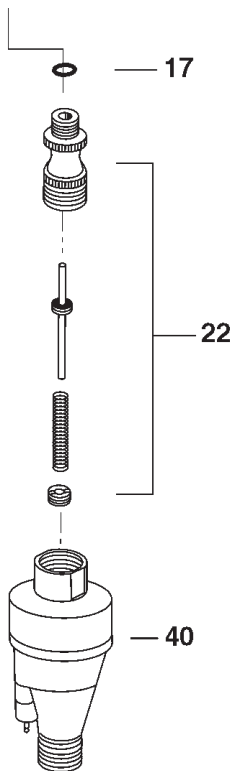
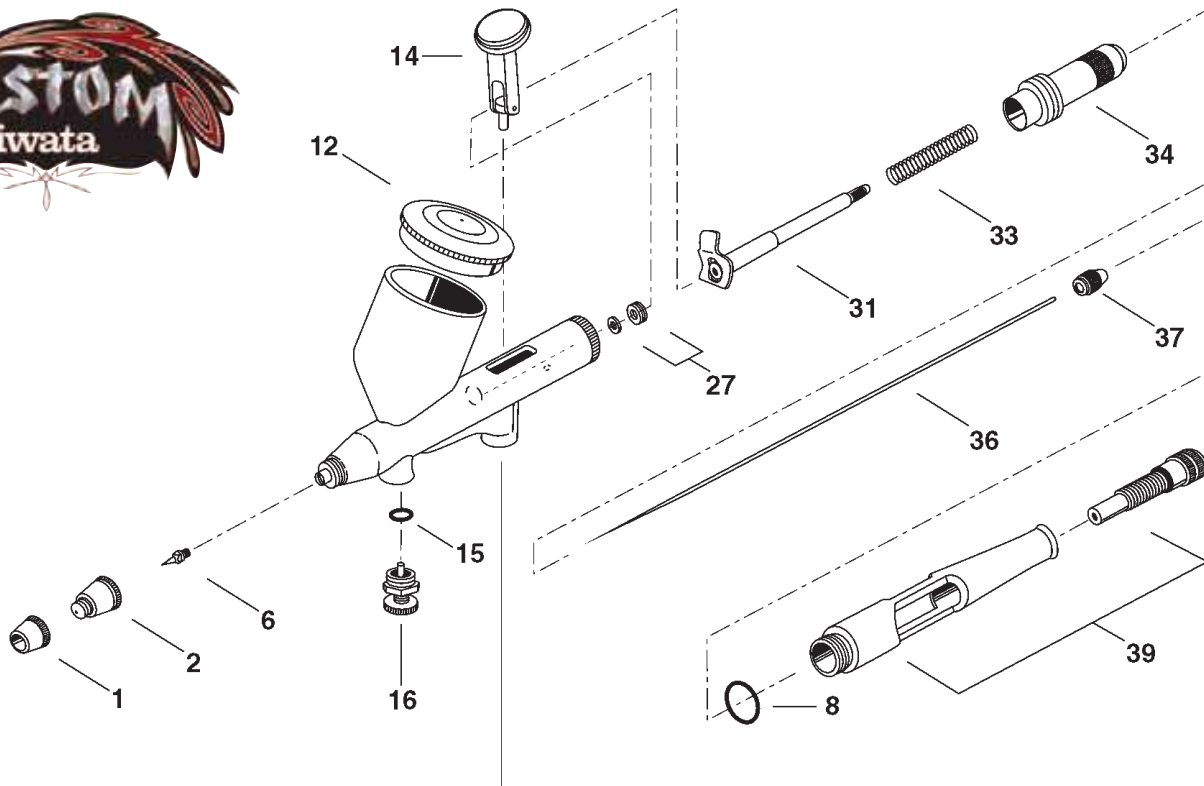
CODE	DESCRIPTION	MODEL	REF.	SMP*
I 535 1D	Needle Crown Cap	HP-KCM	1	23,80
I 535 2C	Nozzle Cap 0,23 mm	HP-KCM	2	46,40
I 535 2B	Nozzle Set 0,23 mm	HP-KCM	6	70,20
I 535 1A	Head Cap	HP-KCM	7	125,80
I 580 2	O Ring	HP-KCM	8	15,50
I 535 2	Head Cap Set 0,23 mm	HP-KCM	9	194,90
I 718 1	Lid Cup	HP-KCM	12	15,50
I 545 3	Main Lever	HP-KCM	14	15,50
I 190 2	O Ring	HP-KCM	15	7,30
I 190 1	Micro Air Control Valve	HP-KCM	16	23,80
I 590 2	Needle Packing Set (Ptfe)	HP-KCM	27	23,80
I 115 7	Needle Chucking Guide W/Auxiliary Lever	HP-KCM	31	15,50
I 565 2	Spring Guide	HP-KCM	32	15,50
I 570 1	Needle Spring	HP-KCM	33	11,40
I 575 1	Needle Spring Adj.	HP-KCM	34	36,10
I 540 3	Needle Set 0,23 mm	HP-KCM	36	29,90
I 120 1	Needle Chucking Nut	HP-KCM	37	7,30
I 585 3	Preset Cap Handle (Single)	HP-KCM	39	70,20
I 580 1	O Ring	HP-KCM	17	11,40
I 510 1	Air Valve Set	HP-KCM	22	68,10
F A450	Pistol Grip Filter	HP-KCM	40	37,20





Kustom Revolution HP-TR

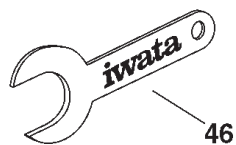
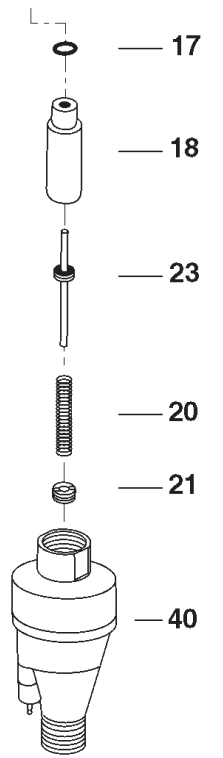
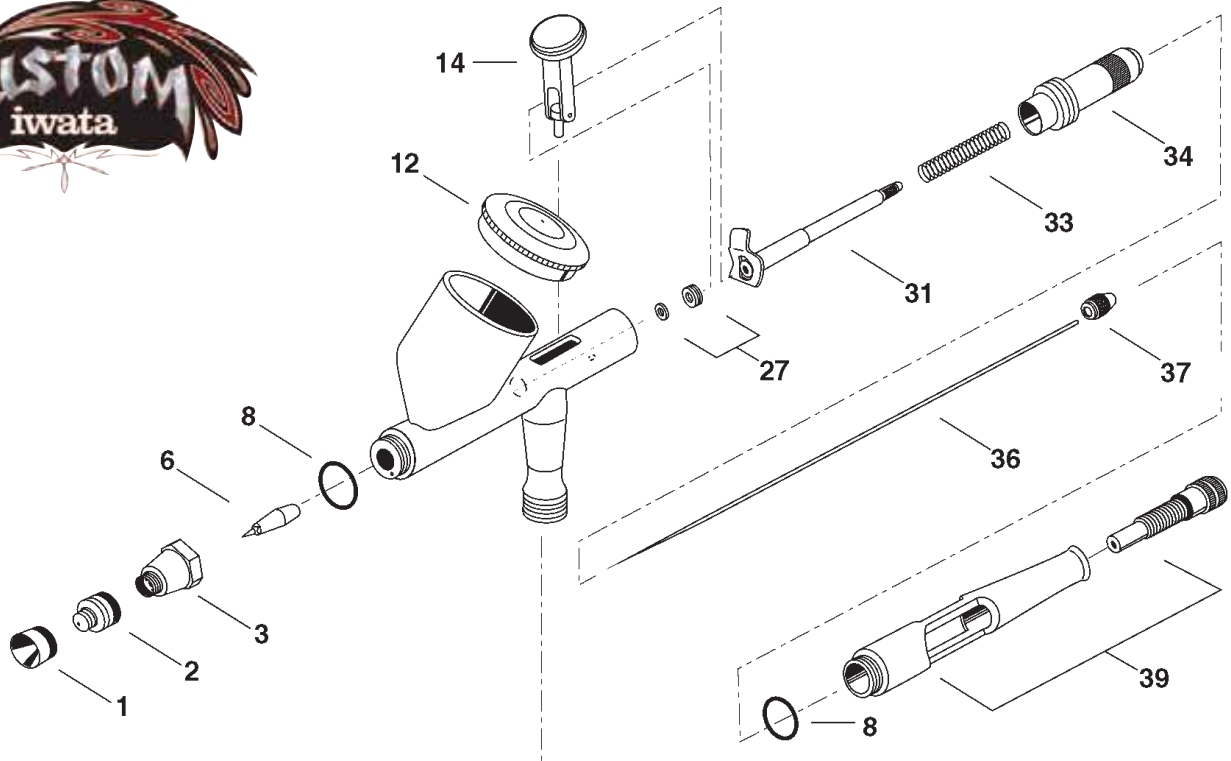
CODE	DESCRIPTION	MODEL	REF.	SMP*
I 701 3	Needle Cap 0.3 mm	HP-KTR	1	7,30
I 702 2	Nozzle Cap 0.30 mm	HP-KTR	2	15,50
I 704 2	Nozzle Set 0.30 mm	HP-KTR	6	29,90
I 605 1	O Ring (2 Pcs.)	HP-KTR	8	7,30
I 150 7	Cup Packing	HP-KTR	10	7,30
I 070 7	Cup Set	HP-KTR	11	46,40
I 095 9	Lid	HP-KTR	12	15,50
I 714 2	Trigger Stud	HP-KTR	13	15,50
I 714 1	Trigger	HP-KTR	14	94,90
I 731 2	Screw	HP-KTR	24	7,30
I 725 3	Needle Packing (PTFE)	HP-KTR	25	11,40
I 150 2	Needle Packing	HP-KTR	26	7,30
I 725 2	Needle Packing Screw	HP-KTR	27	15,50
I 730 1	Slide Cam	HP-KTR	28	94,90
I 730 2	Slide Cam Spring	HP-KTR	29	11,40
I 731 1	Main Body Ring	HP-KTR	30	23,80
I 715 2	Needle Chucking Guide	HP-KTR	31	40,30
I 770 3	Spring	HP-KTR	33	7,30
I 170 7	Spring Guide	HP-KTR	34	29,90
I 717 4	Needle Set 0.30mm	HP-KTR	36	15,50
I 120 1	Needle Chucking Nut	HP-KTR	37	7,30
I 155 4	Preset Cap Handle	HP-KTR	39	46,40
I 145 1	Air Valve Packing	HP-KTR	17	7,30
I 712 1	Air Valve Set	HP-KTR	22	46,40
I 713 1	Valve Rod	HP-KTR	23	15,50
F A450	Pistol Grip Filter	All Models	40	37,20
I 165 1	Spanner	HP-KTR	45	7,30



Kustom Hi-Line HP-CH

CODE	DESCRIPTION	MODEL	REF.	SMP*
I 110 2	Needle Cap	HP-KCH	1	11,40
I 140 3	Nozzle Cap 0.30 mm	HP-KCH	2	23,80
I 080 8	Nozzle Set 0.30 mm	HP-KCH	6	46,40
I 605 1	O Ring (2 Pcs.)	HP-KCH	8	7,30
I 718 1	Lid Cup	HP-KCH	12	15,50
I 545 3	Main Lever	HP-KCH	14	15,50
I 190 2	O Ring	HP-KCH	15	7,30
I 190 1	Air Control Valve	HP-KCH	16	23,80
I 125 7	Needle Packing Set (PTFE)	HP-KCH	27	11,40
I 715 1	Needle Chucking Guide	HP-KCH	31	15,50
I 715 2	Needle Spring	HP-KCH	33	40,30
I 770 1	Spring Guide	HP-KCH	34	11,40
I 075 3	Fluid Needle 0.30mm	HP-KCH	36	15,50
I 120 1	Needle Chucking Nut	HP-KCH	37	7,30
I 155 6	Preset Cap Handle Set	HP-KCH	39	46,40
I 145 1	Air Valve Packing	HP-KCH	17	7,30
I 030 4	Air Valve Set	HP-KCH	22	46,40
F A450	Pistol Grip Filter	All Models	40	37,20





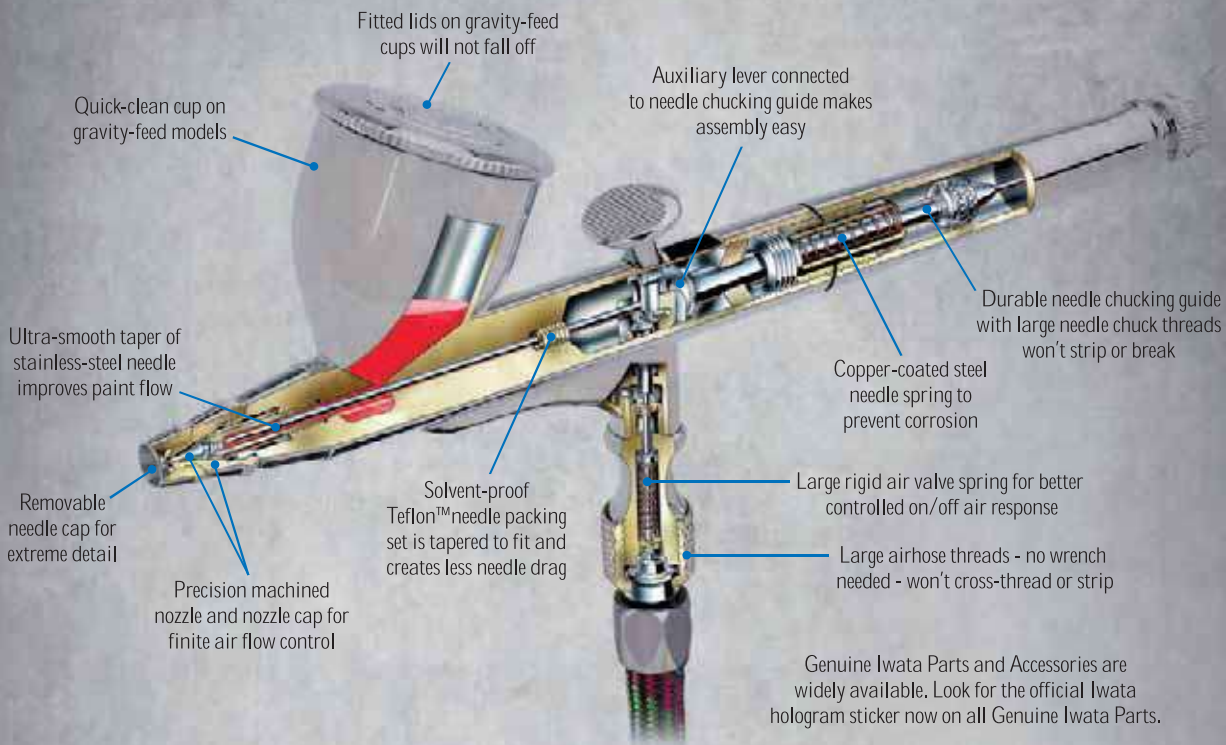
Kustom Eclipse HP-CS

CODE	DESCRIPTION	MODEL	REF.	SMP*
I 601 1	Needle Cap	HP-KCS	1	7,30
I 602 2	Nozzle Cap 0.35 mm	HP-KCS	2	15,50
I 603 1	Head Cap	HP-KCS	3	15,50
I 604 2	Nozzle Set 0.35 mm	HP-KCS	6	29,90
I 605 1	O Ring (2 Pcs.)	HP-KCS	8	7,30
I 618 1	Lid Cup	HP-KCS	12	15,50
I 612 3	Main Lever	HP-KCS	14	15,50
I 125 7	Needle Packing Set (PTFE)	HP-KCS	27	11,40
I 715 1	Needle Chucking Guide	HP-KCS	31	15,50
I 135 1	Needle Spring	HP-KCS	33	7,30
I 770 1	Spring Guide	HP-KCS	34	11,40
I 617 2	Needle Set 0.35mm	HP-KCS	36	11,40
I 120 1	Needle Chucking Nut	HP-KCS	37	7,30
I 155 6	Preset Cap Handle Set	HP-KCS	39	46,40
I 580 1	O Ring	HP-KCS	17	11,40
I 608 1	Air Valve Guide	HP-KCS	18	11,40
I 510 4	Air Valve Spring	HP-KCS	20	11,40
I 611 1	Air Valve Guide Screw	HP-KCS	21	7,30
I 609 1	Air Valve	HP-KCS	23	7,30
F A450	Pistol Grip Filter	All Models	40	37,20



Genuine

Quality & Performance Should Not Be Taken For Granted



The Foundation Of The Greatest Airbrush Brand In The World

PERFORMANCE
Customer service & technical expertise matching the high performance of the Iwata brand

PASSION
We have a passion for what we do, for the artists we serve and for the people we work alongside.

COMMITMENT
Untiring dedication and commitment to all things airbrush & creative



neo air for iwata



IS-30 Neo SMP*

Code: IS 30 DE € 168,00

• Motor:	12 Volt
• Max. Pressure:	1.0 bar
• Air Delivery:	10.5 L/min
• Weight:	0.43 kg
• Dimensions:	130 x 99 x 65 mm (approx)



IS-35 Ninja Jet SMP*

Code: IS 35 DE € 179,00

• Motor:	140-110 Watt
• Max. Pressure:	1.3 bar
• Air Delivery:	9 L/min
• Weight:	2.7 kg
• Dimensions:	169 x 159 x 83 mm
• Standard:	4 m coil hose

iwata studio series Silver Jet



IS-50 Silver Jet SMP*

Code: IS 50 DE € 215,00

• Motor:	140-110 Watt
• Max. Pressure:	1.3 bar
• Air Delivery:	9 L/min
• Weight:	2.9 kg
• Dimensions:	150 x 155 x 180 mm
• Standard:	4 m coil hose



IS-850 Smart Jet SMP*

Code: IS 850 DE € 287,00

• Motor:	91 Watt
• Max. Pressure:	2.4 bar
• Air Delivery:	18 L/min
• Weight:	3.6 kg
• Dimensions:	250 x 180 x 160 mm
• Standard:	3 m air hose



IS-875 Smart Jet Pro SMP*

Code: IS 875 DE € 352,00

• Motor:	91 Watt
• Max. Pressure:	2.4 bar
• Air Delivery:	18 L/min
• Weight:	6.4 kg
• Dimensions:	265 x 310 x 155 mm
• Standard:	3 m air hose



IS-875 HT SMP*

Code: IS 875HT DE **€ 352,00**

- Motor: 150 Watt
- Max. Pressure: 4.2 bar
- Air Delivery: 23 L/min
- Tank: 0.5 L
- Weight: 5.5 kg
- Dimensions: 280 x 160 x 275 mm
- Standard: 3 m air hose



IS-925 Power Jet Lite SMP*

Code: IS 925 DE **€ 413,00**

- Motor: 125 Watt
- Max. Pressure: 4.2 bar
- Air Delivery: 34 L/min
- Weight: 7.9 kg
- Dimensions: 265 x 310 x 155 mm
- Standard: 4 m air hose



IS-925 HT SMP*

Code: IS 925HT DE **€ 461,00**

- Motor: 220 Watt
- Max. Pressure: 4.2 bar
- Air Delivery: 39 L/min
- Tank: 0.5 L
- Weight: 7.1 kg
- Dimensions: 280 x 160 x 330 mm
- Standard: 3 m air hose



IS-975 Power Jet Pro SMP*

Code: IS 975 DE **€ 552,00**

- Motor: 125 Watt
- Max. Pressure: 5.5 bar
- Air Delivery: 34 L/min
- Tank: 2 L
- Weight: 11.9 kg
- Dimensions: 330 x 230 x 180 mm
- Standard: 3 m air hose (with plug)

iwata *studio series*

MAXXJet



IS-1000 Maxx Jet SMP*

Code: IS 1000 DE **€ 859,00**

- Motor: 125 Watt
- Max. Pressure: 5.5 bar
- Air Delivery: 40 L/min
- Tank: 2.5 L
- Weight: 14.2 kg
- Dimensions: 320 x 320 x 570 mm
- Standard: 3 m air hose (with plug)



iwata
Freestyle
air™

NEW

Unique curved design fits right in your hand.
3-Speed adjustment with the most power in its class.
Powers all gravity-feed airbrushes.
Use upright or lay flat.

Iwata Freestyle Air Battery Compressor SMP*

Code: IFS 1000 **€ 333,00**

• Motor:	12 Volt
• Max. Pressure:	max. 1.3 bar
• Air Delivery:	10.5 L/min
• Weight:	0.76 kg
• Dimensions:	106 x 167 x 57 mm



1. Dual position airbrush holder for use upright or flat
2. On/off rolling switch with 3 speed adjustment
3. AC power adapter with international plugs (100-240V~50/60Hz)
4. Detachable, rechargeable NiMH battery (45 minutes at 10 psi)
5. Non-skid, anti-vibration base
6. 5ft (1.5 m) lightweight air hose

IDEAL for
NAIL ART, MAKE-UP
and TEMPORARY TATTOOS

Assorted Compressors Spare Parts

CODE	DESCRIPTION	SMP*
IS 010	FILTER BOWL POWER JET	20,70
IS 011	FILTER REPL. POWER JET	13,50
IS 012	AIR INTAKE FILTER 10PCS	8,30
IS 015	REGULATOR KNOB POWER JET	13,50
IS 020	TANK DRAIN VALVE POWER JET	13,50
IS 110	FILTER ELEMENT IS 850	20,70
IS 111	FILTER REPL. SMART JET	20,70
IS 120	REGULATOR BRACKET SMART JET	25,80
IS 130	COIL HOSE SMART JET	33,00
IS 135	SPRINT/SMART JET FLTR/GAUGE	57,80
IS 140	POWER JET SERIES FLTR/REG	98,00
NAC 101	MOISTURE FILTER DISPOSABLE	18,60

CODE	DESCRIPTION	SMP*
UNTIL STOCK LAST		
98302130	IS 875, IS 925 THREE-WAY JOINT NO	12,00
98305130	IS 875, IS 925 CONDENSER	8,30
98301140	IS 875, IS 925 POWERCODE	7,30
98302140	IS 875, IS 925 PRESSURE GAUGE	18,10
98304140	IS 875, IS 925 AIRBRUSH HOLDER	4,20
98305140	IS 875, IS 925 ON/OFF SWITCH	4,70
98301150	IS 875, IS 925 CASE SET	63,50
98302150	IS 875, IS 925 RUBBER STAND	4,70
98304150	IS 875, IS 925 BALL SET	33,00
98305150	IS 875, IS 925 HOSE SET 1 (BODY REGULATOR)	12,90
98301160	IS 875, IS 925 HOSE SET 2 (REGULATOR OUTLET)	30,50
98303140	IS 875, IS 925 AIR REGULATOR SET	96,40



Nylon Covered Braided Air Hoses



Plastic Bottle Set Crystal Clear



High Strength Translucent Plastic Bottles



Side Feed Airbrushes Bottles

CODE	DESCRIPTION	SMP*
NYLON COVERED BRAIDED AIR HOSES		
BT 010	NYLON COVERED BRAIDED AIR HOSE 10'/ 3,05 M (1/4-1/8)	32,00
BT 050	NYLON COVERED BRAIDED AIR HOSE 10'/ 3,05 M (1/4-1/4)	32,00
CT I 06	IWATA COIL HOSE 6'/ 1,8 M (1/4-1/8)	25,80
CT I 10	IWATA COIL HOSE 10'/ 3,05 M (1/4-1/8)	34,10
DT I 06	IWATA STRAIGHT SHOT HOSE 6'/ 1,8 M (1/4-1/8)	14,50
DT I 10	IWATA STRAIGHT SHOT HOSE 10'/ 3,05 M (1/4-1/8)	20,70
UNTIL STOCK LAST		
13409030	HPA CH 41 COIL TYPE AIR HOSE 4,00 M (1/8-1/8)	34,00
13409900	HPA CH 31 COIL TYPE AIR HOSE 3,05 M (1/8-1/8)	30,00
13409730	HPA BH 31 BRAIDED HOSE 10'/ 3,05 M (1/8-1/8)	30,00
PLASTIC BOTTLE SET CRYSTAL CLEAR (FOR WATER BASED PAINTS ONLY) ***		
I 450 1	CRYSTAL CLEAR CYLINDER 1 OZ/28 ml FOR WB PAINTS ONLY	8,30
I 450 1P	CRYSTAL CLEAR CYLINDER 1 OZ/28 ml FOR WB PAINTS ONLY	8,30
I 450 2	CRYSTAL CLEAR CYLINDER 2 OZ/56 ml FOR WB PAINTS ONLY	8,30
I 450 2P	CRYSTAL CLEAR CYLINDER 2 OZ/56 ml FOR WB PAINTS ONLY	8,30
I 450 4	CRYSTAL CLEAR CYLINDER 4 OZ/112 ml FOR WB PAINTS ONLY	8,30
I 450 4P	CRYSTAL CLEAR CYLINDER 4 OZ/112 ml FOR WB PAINTS ONLY	8,30
I 460 2	CRYSTAL CLEAR JAR 2 oz/56 ml FOR WB PAINTS ONLY	8,30
I 460 2P	CRYSTAL CLEAR JAR 2 oz/56 ml FOR WB PAINTS ONLY	8,30
HIGH STRENGHT TRANSLUCENT PLASTIC (BOTH SOLVENT AND WATER BASED PAINTS) ***		
I 470 1	TRANSLUCENT PLASTIC CYLINDER 1 oz/28 ml FOR WB AND SOLVENT PAINTS	8,30
I 470 1P	TRANSLUCENT PLASTIC CYLINDER 1 oz/28 ml FOR WB AND SOLVENT PAINTS	8,30
I 470 2	2 oz/56 ml HIGH STRENGTH CYLINDER AIRBRUSH BOTTLE	8,30
I 470 2P	TRANSLUCENT PLASTIC CYLINDER 2 oz/56 ml FOR WB AND SOLVENT PAINTS	8,30
I 470 4	TRANSLUCENT PLASTIC CYLINDER 4 oz/112 ml FOR WB AND SOLVENT PAINTS	8,30
I 470 4P	TRANSLUCENT PLASTIC CYLINDER 4 oz/112 ml FOR WB AND SOLVENT PAINTS	8,30
I 480 2	CUP FOR HP BCS, BCR,SAR AIRBRUSH (oz)	8,30
I 480 2P	TRANSLUCENT PLASTIC JAR 2 oz/56 ml FOR WB AND SOLVENT PAINTS	8,30
I 480 3	CUP FOR HP G6 AIRBRUSH GUN	8,30
I 480 3P	TRANSLUCENT PLASTIC JAR 3 oz/84 ml FOR WB AND SOLVENT PAINTS	8,30
I 480 4	TRANSLUCENT PLASTIC JAR 4 oz/112 ml FOR WB AND SOLVENT PAINTS	8,30
I 480 4P	TRANSLUCENT PLASTIC JAR 4 oz/112 ml FOR WB AND SOLVENT PAINTS	8,30
BIG MOUTH SERIES (BOTH SOLVENT AND WATER BASED PAINTS)		
A 470 1	1 oz (30CC) CYLINDER WITH 20 mm AIRBRUSH CAP BIG MOUTH	7,30
A 470 2	2 oz (60CC) CYLINDER WITH 24 mm AIRBRUSH CAP BIG MOUTH	7,30
A 480 2	3 oz (80CC) CYLINDER WITH 38 mm AIRBRUSH CAP BIG MOUTH	7,30
A 480 3	2.5 oz (75CC) CYLINDER WITH 38 mm AIRBRUSH CAP BIG MOUTH	7,30
A 480 4	4 oz (110CC) CYLINDER WITH 38 mm AIRBRUSH CAP BIG MOUTH	7,30
BIG MOUTH SERIES ADAPTER CAPS (BOTH SOLVENT AND WATER BASED PAINTS)		
A 490 20	20 mm ADAPTER CAP BIG MOUTH	5,20
A 490 24	24 mm ADAPTER CAP BIG MOUTH	5,20
A 490 38	38 mm ADAPTER CAP BIG MOUTH	5,20
BOTTLE SETS FOR HP-SB, SBS SIDE FEED AIRBRUSHES		
I 450 1S	CRYSTAL CLEAR CYLINDER 1 oz/28 ml FOR HP-SB, SBS SIDE FEED AIRBRUSHES	10,40
I 450 2S	CRYSTAL CLEAR CYLINDER 2 oz/56 ml FOR HP-SB, SBS SIDE FEED AIRBRUSHES	10,40
I 470 1S	HIGH STRENGHT CYLINDER 1 oz/28 ml FOR HP-SB, SBS SIDE FEED AIRBRUSHES	10,40
I 470 2S	HIGH STRENGTH CYLINDER 2 oz/56 ml FOR HP-SB, SBS SIDE FEED AIRBRUSHES	10,40





Glass Bottles



Bottle Caps



Universal Spray Out Pot



Air hoses Quick Disconnect



Air Filters and Regulators



Studio Wipes



Cleaning Mat



Cleaners and Lubricant



Airblast Regulator

CODE	DESCRIPTION	SMP*
GLASS BOTTLE SETS		
I 405 2	GLASS CUP FOR HP BC1P, BC2P AIRBRUSH	46,40
I 420 2	GLASS BOTTLE SET 42 ml	46,40
BOTTLE CAP SETS		
I 490 20	BOTTLE CAP SET NO RUST FOR 20 mm BOTTLE OPENING	6,20
I 490 20P	BOTTLE CAP SET FASTBLAST FOR 20 mm BOTTLE OPENING	6,20
I 490 24	BOTTLE CAP SET NO RUST FOR 24 mm BOTTLE OPENING	6,20
I 490 24P	BOTTLE CAP SET FASTBLAST FOR 24 mm BOTTLE OPENING	6,20
I 490 38	BOTTLE CAP SET NO RUST FOR 38 mm BOTTLE OPENING	6,20
I 490 38P	BOTTLE CAP SET FASTBLAST FOR 38 mm BOTTLE OPENING	6,20
SIDE FEED CAP SETS		
I 490 20S	SIDE FEED CAP SET FOR 20 mm BOTTLE OPENING	8,30
I 490 24S	SIDE FEED CAP SET FOR 24 mm BOTTLE OPENING	8,30
AIRBRUSH HOLDERS & CLEANING POT		
AH 400	IWATA UNIVERSAL AIRBRUSH HOLDER	40,00
CL 300	UNIVERSAL SPRAY OUT POT	37,00
CL 310	FILTER REPLACEMENT CL 300	7,00
AIR HOSES QUICK DISCONNECT SETS		
I 624 1	ADAPTOR (1/4 F 1/8 M)	21,70
I 624 2	ADAPTOR (1/4 M 1/8 F)	21,70
I 160 3	QUICK FIT SET (QD & ADAPTOR)	20,70
I 160 4	QUICK FIT ADAPTOR	9,30
I 010 5	AIR HOSE JOINT SET (BRASS)	7,30
AIR FILTERS AND REGULATORS		
F A450	PISTOL GRIP MOISTURE FILTER	37,20
F A500DH	MOISTURE FILTER	57,80
F A600DH	MOISTURE FILTER W/REGULATOR & GAUGE	110,40
F A700DH	PRESSURE REGULATOR & GAUGE	68,10
CLEANERS, LUBRICANT AND CLEANING TOOLS		
CL 100	IWATA AIRBRUSH CLEANING KIT	41,00
6 360 16	360 NOZZLE MEDEA AIRBRUSH CLEANER SPRAYER	12,40
CL 150	CONSUMABLES CLEANING KIT REFILL	13,00
CL MG 1	MAGNIFIER GLASS FOR CLEANING KIT CL 100	13,00
CL NW 1	NOZZLE WRENCH FOR CLEANING KIT CL 100	13,00
CL SJP INSERT	PLASTIC INSERT WITH SET SCREW	9,00
CL 200	IWATA AIRBRUSH CLEANING MAT	31,00
6 600 80	ARTOOL STUDIO WIPES, 80CT TUB	14,50
6 600 12	ARTOOL STUDIO WIPES, 12CT POUCH	4,20
6 600 POP	ARTOOL STUDIO WIPES, POUCH POP	87,70
6 500 04	AIRBRUSH CLEANER 4 oz / 112 ml	5,20
6 500 08	AIRBRUSH CLEANER 8 oz / 224 ml	6,20
6 500 16	AIRBRUSH CLEANER 16 oz / 448 ml	8,30
6 500 32	AIRBRUSH CLEANER 32 oz / 896 ml	10,40
015 001	LUBRICANT 1/2 oz / 14 ml SUPER LUBE	12,40
2/3 WAY VALVES & AIRBLASTS		
012 004	2-WAY ASSEMBLING VALVE	84,60
012 005	3-WAY ASSEMBLING VALVE	134,10
020 100	AIRBLAST REGULATOR ADAPTOR	11,40

P = with Plastic Neck





DELUXE SET

CODE	DESCRIPTION	SMP*
CRIS50BLKDE	AIRBRUSH STARTER KIT	305,00
DLXIS850CR	DELUXE SET IS 850 + HP CR + MEDEA ACCESSORIES	515,00
DLXIS850BR	DELUXE SET IS 850 + HP BR + MEDEA ACCESSORIES	515,00
DLXIS850BCR	DELUXE SET IS 850 + HP BCR + MEDEA ACCESSORIES	515,00
DLXIS850CS	DELUXE SET IS 850 + HP CS + MEDEA ACCESSORIES	515,00
DLXIS850SBS	DELUXE SET IS 850 + HP SBS + MEDEA ACCESSORIES	515,00
DLXIS850BCS	DELUXE SET IS 850 + HP BCS + MEDEA ACCESSORIES	515,00
DLXIS850CP	DELUXE SET IS 850 + HP CP + MEDEA ACCESSORIES	515,00
DLXIS850BC1P	DELUXE SET IS 850 + HP BCP + MEDEA ACCESSORIES	515,00



Basic Airbrush Techniques Exercise Kit

CODE	DESCRIPTION	SMP*
VT 070	ROBERT PASCHAL - BASIC AIRBRUSH TECHNIQUES BOOK	27,50
VT 075	BASIC AIRBRUSH TECHNIQUES EXERCISE KIT	23,80



NEO KIT

CODE	DESCRIPTION	SMP*
IW 120	Gravity-Feed Airbrushing Kit Neo - NEO Air for Iwata Air Compressor with International Plugs And Airhose - NEO for Iwata CN Gravity-Feed, Dual-Action Airbrush With 2 Cup Sizes - 3 Bottles of Medea Com-Art Colours (1 oz) - Medea Airbrush Cleaner (1 oz) - Online Practice Exercises	240,00



Professional Airbrush Maintenance Tools

CODE	DESCRIPTION	SMP*
CL 500	PROFESSIONAL AIRBRUSH MAINTENANCE TOOLS	121,00
CL 500E	ZIPPERED AIRBRUSH CASE (EMPTY)	21,00



AIR-PORT™
AIRBRUSH WORK STATION

BY KARAJEN CORP.

Triple-Action Handle



Quick Needle Release



Quick Flush



Pre-Set Handle



Needle Cap Holder

CODE	DESCRIPTION	SMP*
TRIPLE - ACTION HANDLE SET		
K 150	TRIPLE-ACTION HANDLE SET	36,10
K 155	TRIPLE-ACTION HANDLE SET W/ 5 COLORED HANDLES	47,50
AIR-PORT - AIRBRUSH MAGNETIC WORKSTATION		
KJ 200	AIR-PORT AIRBRUSH WORKSTATION MAGNETIC / BOLT-ON	178,40
KJ 100	AIR-PORT HANGER MAGNETIC / BOLT-ON	29,90
K 250	EXTERNAL MAC VALVE	36,10
K 200	CUSTOM HANDLE ORIP TUNER	21,00



AIR-PORT HANGER™



The **ESSENTIAL SEVEN™**
SIGNATURE SERIES

THE **WAVE MAKER™**

The **ANGLE MASTER™**

PIN-UP SHIELD™

MATCH MAKERS™

INTRO SERIES™
by Robert Paschal

Craig Fraser's **Patriotica™**

BONE HEADZ™
BY MIKE LAVALLEE

Dennis Mathewson's **Bubble FX™**

FLAME MASTER™

Craig Fraser's **FLAME-O-RAMA™**

Craig Fraser's **FLAME-O-RAMA™**

CODE	DESCRIPTION	SMP*
THE ESSENTIAL SEVEN™		
FH 1 SP	FREEHAND AIRBRUSH TEMPLATE - EDDIE YOUNG TEMPLATE (SOLVENT PROOF)	16,50
FH 2 SP	FREEHAND AIRBRUSH TEMPLATE - EDDIE YOUNG TEMPLATE (SOLVENT PROOF)	16,50
FH 3 SP	FREEHAND AIRBRUSH TEMPLATE - 360 DEGREE SHIELD (SOLVENT PROOF)	16,50
FH 4 SP	FREEHAND AIRBRUSH TEMPLATE - 45 DEGREE SHIELD (SOLVENT PROOF)	16,50
FH 5 SP	FREEHAND AIRBRUSH TEMPLATE - ANDREA MISTRETTA MINI (SOLVENT PROOF)	16,50
FH 6 SP	FREEHAND AIRBRUSH TEMPLATE - ANDREA MISTRETTA SUPER (SOLVENT PROOF)	16,50
FH 7 SP	FREEHAND AIRBRUSH TEMPLATE - THE BIG SHIELDS (SOLVENT PROOF)	16,50
FH P SP	FREEHAND AIRBRUSH TEMPLATE ESSENTIAL 7 POUCH	97,00
THE BIG SHIELD™ SPECIAL EDITION by Gabe Mc Cubbin		
FH 7 BLM	THE BIG SHIELD™ SPECIAL EDITION SET 20th Anniversary by Gabe McCubbin	42,50
THE WAVE MAKER™		
FH 8	FREEHAND AIRBRUSH TEMPLATE THE WAVE MAKER	16,50
THE ANGLE MASTER™		
FH 9 SP	FREEHAND AIRBRUSH TEMPLATE THE ANGLE MASTER	16,50
PIN-UP SHIELD™ by Edward Reed		
FH 10	FREEHAND AIRBRUSH TEMPLATE PIN UP SHIELD	16,50
MATCH MAKERS™		
FH 11 SP	FREEHAND AIRBRUSH TEMPLATE - MATCH MAKERS TEMPLATE	22,00
INTRO SERIES™ by Robert Paschal		
FH IS1	INTRO SERIES SET BY ROBERT PASCHAL	16,50
PATRIOTICA™ by Craig Fraser		
PTR 1 SP	RED TEMPLATE	26,00
PTR 2 SP	WHITE TEMPLATE	26,00
PTR 3 SP	BLUE TEMPLATE	26,00
PTR 4 SP	EAGLE TEMPLATE	26,00
PTR 5 SP	ALL FOURL TEMPLATE	101,50
BONEHEADZ™ by Mike Lavallee		
FH BH 1	BONEHEADZ (CRANIUM) TEMPLATE SET	114,50
FH BH 2	BONEHEADZ (SCREAMERS) TEMPLATE SET	114,50
FH BH 3	BONEHEADZ (EIGHT8DEAD) TEMPLATE SET	114,50
BUBBLE FX™ by Dennis Mathewson		
FH BFX 1	BUBBLE FX TM SET + DVD BY DENNIS MATHEWSON	104,50
FLAME MASTER™		
FH FM 1	FREEHAND AIRBRUSH TEMPLATE - FLAME MASTER MEDIUM	25,00
FH FM 2	FREEHAND AIRBRUSH TEMPLATE - FLAME MASTER MULTIPLE	25,00
FH FM 3	FREEHAND AIRBRUSH TEMPLATE - FLAME MASTER COMPLETE SET	43,50
FLAME-o-RAMA® by Craig Fraser		
FOR 1SP	TEMPLATE FLAME-DANGO	26,00
FOR 2SP	TEMPLATE OL' SCHOOL	26,00
FOR 3SP	TEMPLATE SLASH	26,00
FOR 4SP	TEMPLATE FUNKADELIK	26,00
FOR 5SP	TEMPLATE COMPLETE SET OF ALL FOUR	101,50
FLAME-o-RAMA2® by Craig Fraser		
FH FOR 6	TEMPLATE VAN FLAMIN 8" X 10.5"	26,00
FH FOR 7	TEMPLATE CLASSICO 8" X 10.5"	26,00
FH FOR 8	TEMPLATE FIRE BALZ 8" X 10.5"	26,00
FH FOR 9	TEMPLATE FLAMGASM 8" X 10.5"	26,00
FH FOR 10	TEMPLATE GOTHIKA 8" X 10.5"	26,00
FH FOR 11	TEMPLATE SPOT 8" X 10.5"	32,00
FH FOR 12	FLAME O RAMA 2 TEMPLATES SET	151,00





CODE	DESCRIPTION	SMP*
HOT HEADZ by Mike Lavallee		
FH HH 1	SMOKIN' JOES	114,50
FH HH 2	HELL RIDERS	114,50
KUSTOM FX™ by Craig Fraser		
KFX 1SP	TEMPLATE TIKI MADNESS	26,00
KFX 2SP	TEMPLATE BULLET - RIDDEN	26,00
KFX 3SP	TEMPLATE CHEETAH PIMP	26,00
KFX 4SP	TEMPLATE DIAMOND PLATE	26,00
KFX 5SP	TEMPLATE CLOUD-9	26,00
KFX 6SP	TEMPLATE BRAINIAC	26,00
KFX 7SP	TEMPLATE COMPLETE SET OF ALL SIX	145,50
KUSTOM FX 2™ by Craig Fraser		
FXII 8SP	ARTOOL TEMPLATE "PUZZLED"	26,00
FXII 9SP	ARTOOL TEMPLATE "NUT N" BOLTZ"	26,00
FXII 10SP	ARTOOL TEMPLATE "GEAR HEAD"	26,00
FXII 11SP	ARTOOL TEMPLATE "DOLLA" BILL"	26,00
FXII 12SP	ARTOOL TEMPLATE "DRAGON SKIN"	26,00
FXII 13SP	ARTOOL TEMPLATE "THE BLOB"	26,00
FXII 14SP	ARTOOL TEMPLATE "ALL SIX!"	145,50
KUSTOM FX 3™ by Craig Fraser		
FX3 15SP	TEMPLATE GLYPHS	26,00
FX3 16SP	TEMPLATE UNCHAINED	26,00
FX3 17SP	TEMPLATE THE WEB	26,00
FX3 18SP	TEMPLATE BLADES	26,00
FX3 19SP	TEMPLATE MUSIKA	26,00
FX3 20SP	TEMPLATE BARBY	26,00
FX3 21SP	TEMPLATE SET FX3	145,50
KUSTOM FX 4™ by Craig Fraser		
FH FX4 22	TEMPLATE FX4 WRENCHED BY CRAIG FRASER	26,00
FH FX4 23	TEMPLATE FX4 FRONDS BY CRAIG FRASER	26,00
FH FX4 24	TEMPLATE FX4 SRAEG BY CRAIG FRASER	26,00
FH FX4 25	TEMPLATE FX4 CLASSIC CAMO BY CRAIG FRASER	26,00
FH FX4 26	TEMPLATE FX4 DIGITAL CAMO BY CRAIG FRASER	26,00
FH FX4 27	TEMPLATE FX4 GATOR BY CRAIG FRASER	32,00
FH FX4 28	TEMPLATE FX4 COMPLETE SET BY CRAIG FRASER	151,00
KUSTOM KULTURE FX™ by Craig Fraser		
KKFX 15 SP	TEMPLATE "FLY BALLZ"	26,00
KKFX 16 SP	TEMPLATE "PISTONS & PLUGS"	26,00
KKFX 17 SP	TEMPLATE "LUCKY 7"	26,00
KKFX 18 SP	TEMPLATE "ACES N" EIGHTS"	26,00
KKFX 19 SP	TEMPLATE "SACRED HEART"	26,00
KKFX 20 SP	TEMPLATE "MARTINI TIME"	26,00
KKFX 21 SP	TEMPLATE "KUSTOM CULTURE SET"	145,50
KANJI MASTER® by Dennis Mathewson		
FH KM 1	KANJI MASTER SERIES - DRAGON	26,00
FH KM 2	KANJI MASTER SERIES - KOI	26,00
FH KM 3	KANJI MASTER SERIES - TSUNAMI	26,00
FH KM 4	KANJI MASTER SERIES - BAMBOO	26,00
FH KM 5	KANJI MASTER SERIES - KANJI MASK	26,00
FH KM 6	KANJI MASTER SERIES - KANJI SYMBOLS	26,00
FH KM 7	KANJI MASTER COMPLETE SET	145,50





CODE	DESCRIPTION	SMP*
WIRED LONG LINES by Dean Loucks		
FH LL 1	FREEHAND AIRBRUSH TEMPLATE - WIRED LONG LINES BY DEAN LOUCKS	107,50
METROPOLIS™		
FH MET 1	METROPOLIS SET	84,00
PIRACY™ by Craig Fraser		
FH PRY 1	TEMPLATE PIRACY TELL NO TELLS BY CRAIG FRASER	26,00
FH PRY 2	TEMPLATE PIRACY JOLLY ROGER BY CRAIG FRASER	26,00
FH PRY 3	TEMPLATE PIRACY O CURSED BY CRAIG FRASER	42,50
FH PRY 4	TEMPLATE PIRACY TORTUGA BY CRAIG FRASER	29,00
FH PRY 5	TEMPLATE PIRACY FLYING DUTCHMAN BY CRAIG FRASER	33,00
FH PRY 6	TEMPLATE PIRACY PIECES OF EIGHT BY CRAIG FRASER	38,50
FH PRY 7	TEMPLATE PIRACY ALL SIX BY CRAIG FRASER	179,50
SAILOR GIRLIES™ by Deborah Mahan		
FH SG 1	SAILOR GIRLIES SET OF FOUR	65,00
SPLATTER FX™ by Gerald Mendez		
FH SFX 1	SPLATTER FX SET BY GERARD MENDEZ	53,00
SKULLMASTER® by Craig Fraser		
FH SK1 SP	TEMPLATE SKULL MASTER MULTIPLE SOLVENT PROOF	26,00
FH SK2 SP	TEMPLATE SKULL MASTER FRONTAL SOLVENT PROOF	26,00
FH SK3 SP	TEMPLATE SKULL MASTER SCREAMING SOLVENT PROOF	26,00
FH SK4 SP	TEMPLATE SKULL MASTER SET ALL THREE SOLVENT PROOF	75,50
SON OF SKULLMASTER® by Craig Fraser		
FH SK5 SP	TEMPLATE SON / SKULL NITE & DAY SOLVENT PROOF	26,00
FH SK6 SP	TEMPLATE SON / SKULL DEVIL ON ANGEL SOLVENT PROOF	26,00
FH SK7 SP	TEMPLATE SON / SKULL BONZ SOLVENT PROOF	26,00
FH SK8 SP	TEMPLATE SON / SKULL MENAGERIE SOLVENT PROOF	26,00
FH SK9 SP	TEMPLATE SON / SKULL SET ALL FOUR SOLVENT PROOF	101,50
THE CURSE OF SKULLMASTER® by Craig Fraser		
FH SK10 SP	PETTING ZOO	26,00
FH SK11 SP	EVIL HORDE	26,00
FH SK12 SP	BUCKANEER	26,00
FH SK13 SP	VOODOO	26,00
FH SK14 SP	BONZ II	29,00
FH SK15 SP	ALL FIVE	124,00
THE RETURN OF SKULLMASTER by Craig Fraser®		
FH SK16 SP	FRONTAL II	26,00
FH SK17 SP	MULTIPLE II	26,00
FH SK18 SP	SCREAMIN II	26,00
FH SK19 SP	LUCKY 13	26,00
FH SK20 SP	ALL FOUR	101,50
HORROR OF SKULLMASTER® by Craig Fraser		
FH SK21 SP	TEMPLATE HEADS UP	42,50
FH SK22 SP	TEMPLATE THE SCREAM	42,50
FH SK23 SP	TEMPLATE PROFILE	42,50
FH SK24 SP	TEMPLATE COMPLETE SET OF ALL	119,00
WRATH OF SKULLMASTER® by Craig Fraser		
FH SK26 SP	CRAIG FRASER - WRATH OF SKULLMASTER - MR. POTATO BONZE TEMPLATE	34,50
FH SK27 SP	CRAIG FRASER - WRATH OF SKULLMASTER - MR. POTATO BONZE STUPH #1 TEMPLATE	34,50
FH SK28 SP	CRAIG FRASER - WRATH OF SKULLMASTER - MR. POTATO BONZE STUPH #2 TEMPLATE	34,50
FH SK29 SP	CRAIG FRASER - WRATH OF SKULLMASTER - BURIAL GROUND TEMPLATE	34,50
FH SK30 SP	CRAIG FRASER - WRATH OF SKULLMASTER - KALAVERAS TEMPLATE	34,50
FH SK31 SP	CRAIG FRASER - WRATH OF SKULLMASTER - BONZE III	34,50





CODE	DESCRIPTION	SMP*
LIMITED EDITION SKULL DUGGERY TEMPLATE by Craig Fraser		
FH SK25 SP	CRAIG FRASER'S LIMITED EDITION SKULL DUGGERY TEMPLATE	643,50
FREEHAND AIRBRUSH TEMPLATE - EVIL 3 BY CRAIG FRASER		
FH SKLTD	FREEHAND AIRBRUSH TEMPLATE - EVIL 3 BY CRAIG FRASER	65,00
SPIDER MASTER™ by Craig Fraser		
FH SM 1	SPIDER MASTER - SPIDERZ BY CRAIG FRASER	29,00
FH SM 2	SPIDER MASTER - ARACHNOPHOBIA BY CRAIG FRASER	26,00
FH SM 3	SPIDER MASTER - WIDOW-MAKER BY CRAIG FRASER	26,00
FH SM 4	SPIDER MASTER SET BY CRAIG FRASER	78,50
STEAMPUNK FX® by Craig Fraser		
FH SPFX 1	STEAMPUNK FX JUNK	34,50
FH SPFX 2	STEAMPUNK FX MECHANIX	32,00
FH SPFX 3	STEAMPUNK FX GAUGES	32,00
FH SPFX 4	STEAMPUNK FX SWITCHES	32,00
FH SPFX 5	STEAMPUNK FX CLOCKWORK	32,00
FH SPFX 6	STEAMPUNK FX GEAR DRIVES	34,50
FH SPFX 7	STEAMPUNK FX SET	176,50
STEAMPUNK FX2® by Craig Fraser		
FH SPFX 21	STEAMPUNK FX2 "KLOCKWERKS II" BY CRAIG FRASER	34,50
FH SPFX 22	STEAMPUNK FX2 "JERRY-RIG" BY CRAIG FRASER	34,50
FH SPFX 23	STEAMPUNK FX2 "THE LAB" BY CRAIG FRASER	34,50
FH SPFX 24	STEAMPUNK FX2 "GRILLS" BY CRAIG FRASER	34,50
FH SPFX 25	STEAMPUNK FX2 SET BY CRAIG FRASER	130,00
STEAM DRIVEN™ by Craig Fraser		
FH SDSK 1	STEAM DRIVEN "STEAM SKULL" BY CRAIG FRASER	34,50
FH SDSK 2	STEAM DRIVEN "TICK TOCK" BY CRAIG FRASER	34,50
FH SDSK 3	STEAM DRIVEN "SPRUNG" BY CRAIG FRASER	34,50
FH SDSK 4	STEAM DRIVEN SET BY CRAIG FRASER	98,00
BLASTED FX™ by Ryno		
FH BLTFX 1	CIRCLE FX	22,00
FH BLTFX 2	OVAL FX	26,00
FH BLTFX 3	GAMBLIN FX	22,00
FH BLTFX 4	LUCKY FX	26,00
FH BLTFX 5	SACRED FX	26,00
FH BLTFX 6	MARINE FX	26,00
FH BLTFX 7	BLASTED COMPLETE SET	140,50
H STENCIL™ by Craig Fraser		
FH HS1	H STENCIL BY CRAIG FRASER	37,50
AZTEC FX TEMPLATE SET by Gerald Mendez		
FH AZTFX 1	AZTEC FX BY GERALD MENDEZ	49,00
PACK 'O'SKULLZ™ by Scott MacKay		
FH PKOS 1	PACK OF SKULLZ 1	44,50
FH PKOS 2	PACK OF SKULLZ 2	44,50
TRUE FIRE - 9 STENCIL SET W/DVD by Mike Lavallee		
FH TF 1	MIKE LAVALLEE'S TRUE FIRE - 9 STENCIL SET W/DVD	171,50
TRUE FIRE 2 WITH 2ND DEGREE BURN by Mike Lavallee		
FH TF 2	TRUE FIRE 2 WITH 2ND DEGREE BURN BY MIKE LAVALLEE	135,50
TEXTURE FX SET		
FH TFX 1	TEXTURE FX SET (ORGANIC, COSMIC, MASTER)	42,50
TEXTURE FX 2 by Gerald Mendez		
FH TFX 2	TEXTURE FX 2	42,50
CARBON FIBER™ FX by Chris Cruz		





CODE	DESCRIPTION	SMP*
WOOD GRAIN FX TEMPLATE by Dennis Mathewson		
FH WGFX 1	WOOD GRAIN FX TEMPLATE BY DENNIS MATHEWSON	104,50
TIKI MASTER by Dennis Mathewson		
FH TM 1	TRIBAL TIKI TEMPLATE	26,00
FH TM 2	KONA TIKI TEMPLATE	26,00
FH TM 3	TIKI TROUBLE TEMPLATE	26,00
FH TM 4	TIKI BAR TEMPLATE	26,00
FH TM 5	TOTEM TIKI TEMPLATE	26,00
FH TM 6	ALOHA SPIRIT TEMPLATE	26,00
FH TM 7	TIKI MASTER SET TEMPLATE	145,50
TIKI MASTER II by Dennis Mathewson		
FH TM 8	TROPICAL TRIBALS TEMPLATE	26,00
FH TM 9	HULA SPIRIT TEMPLATE	26,00
FH TM 10	TWO FACE TIKI TEMPLATE	26,00
FH TM 11	TIKI JOE TEMPLATE	26,00
FH TM 12	FREAKIN" TIKIS TEMPLATE	26,00
FH TM 13	LEILANI TEMPLATE	26,00
FH TM 14	TIKI MASTER II COMPLETE SET	145,50
TRIBAL MASTER® SET by Steve Vandemon		
FH TRM 1	NEW TRIBAL MASTER SET	149,50
TRIBAL MASTER® II CORNERED by Steve Vandemon		
FH TRM 2	TRIBAL MASTERS II CORNERED BY STEVE VANDEMON	149,50
BIOMECH FX by Mike Lavallee		
FH BMFX 1	BIOMECH FX SKULL BUSTER BY MIKE LAVALLE	135,50
FH BMFX 2	BIOMECH FX SPINAL TRAP BY MIKE LAVALLE	135,50
VIKING FX by Craig Fraser		
FH VKFX 1	VIKING FX RUNES BY CRAIG FRASER	26,00
FH VKFX 2	VIKING FX VAHALLA BY CRAIG FRASER	26,00
FH VKFX 3	VIKING FX BERZERKER BY CRAIG FRASER	26,00
FH VKFX 4	VIKING FX DRAUGAR BY CRAIG FRASER	26,00
FH VKFX 5	VIKING FX SET BY CRAIG FRASER	101,50
ZAZZO MAKE UP MASTERS BEAUTY ENSEMBLE by Bradley M. Look		
MFX 1	ZAZZO BEAUTY ENSAMBLE	63,00
ZAZZO MAKE UP MASTERS CHARACTER TROUPE by Bradley M. Look		
MFX 2	CHARACTER TROUPE	63,00
NANO SERIES		
FH NS 1	CRAIG FRASER - SKULLOPHENIA NANOS TEMPLATE	22,00
FH NS 2	CRAIG FRASER - DRACO NANOS TEMPLATE	22,00
FH NS 3	NANO SERIES TRUE FIRE SET BY MIKE LAVALLEE	22,00
FH NS 4	ISLAND FX NANO SERIES BY DENNIS MATHEWSON	22,00
FH NS 5	KANJI MOTTO NANO SERIES BY DENNIS MATHEWSON	22,00
FH NS 6	TIKIVILLE NANO SERIES BY DENNIS MATHEWSON	22,00



MINI SERIES

CODE	DESCRIPTION	SMP*
MINI SERIES		
FH FOR 5 MS	FLAME O RAMA MINI SET	32,00
FH FX3 21 MS	FX3 MINI SERIES BY CRAIG FRASER	48,50
FH FX4 28 MS	TEMPLATE FX4 MINISERIES SET BY CRAIG FRASER	48,50
FH FXII 14 MS	FXII MINI SET	48,50
FH KFX7 MS	KUSTOM FX MINI SET	45,50
FH KKFX21 MS	KUSTOM KULTURE MINI SET	45,50
FH KM 7MS	KANJI MASTER MINI SET	43,50
FH PRY 7 MS	TEMPLATE PIRACY ALL SIX MINI SERIES BY CRAIG FRASER	84,00
FH PUG MS	PIN UP GIRLIES MINI SET	38,50
FH PUG II MS	PIN UP GIRLIES 2 MINI SET	38,50
FH SG MS	SAILOR GIRLIES MINI SET	38,50
FH SK15 MS	CURSE OF SKULL MINI SET	40,50
FH SK20 MS	RETURN OF SKULL MINI SET	42,50
FH SK24 MS	HORROR OF SKULL MINI SET	43,50
FH SK32 MS	CRAIG FRASER - WRATH OF SKULLMASTER - MINI SERIES	53,00
FH SK4 MS	SKULL MASTER MINI SET	28,00
FH SM 4 MS	SPIDER MASTER MINI SET BY CRAIG FRASER	38,50
FH SK9 MS	SON OF SKULL MINI SET	33,00
FH TF1 MS	TEMPLATE TRUE FIRE MINI SERIES	54,00
FH SPFX 7 MS	MINI SERIES OF STEAMPUNK	58,00
FH TFX 1 MS	TEXTURE FX SET MINI SERIES	22,00
FH TFX 2 MS	TEXTURE FX 2 MINI SERIES	22,00
FH TM 14 MS	TIKI MASTER II MINI SET	43,50
FH TM 7 MS	TIKI MASTER MINI SET	43,50
FH FXII 14 MS	FXII MINI SET V. VIMFHFXII14MS	48,50
FH FOR2 12 MS	FLAME O RAMA 2 MINI SET	48,50
FH VKFX 5 MS	VIKING FX MINI SET BY CRAIG FRASER	33,00
FH SM 4 MS	SPIDER MASTER MINI SET BY CRAIG FRASER	38,50
FH SDSK 4MS	STEAM DRIVEN MINI SERIES SET BY CRAIG FRASER	40,50
FH SPFX2 5MS	STEAMPUNK FX2 MINI SERIES SET BY CRAIG FRASER	42,50
FH PTR5 MS	PATRIOTICA MINI SET	33,00

CODE	DESCRIPTION	SMP*
UNTIL STOCK LAST		
BOOKS & VIDEO		
FH TF DVD	MIKE LAVALLE'S TRUE FIRE DVD ONLY	49,50
FHV 2 DVD	FREEHAND TEMPLATES INSTRUCTIONAL DVD BY BOB SOROKA	54,50
MFX DVD 1	MAKEUP FX DVD 70 MINS.	72,00
NAV 101	NAIL ART - GETTING STARTED DVD	35,50
VT 010 DVD	BASIC AUTO AIRBRUSHING - P. SHANTEAU	42,50
VT 020 DVD	BASIC TAIL GATE AIRB. - P. SHANTEAU	42,50
VT 030 DVD	BASIC GAS TANK AIRB. - P. SHANTEAU	42,50
VT 040	ULTIMATE AIRBRUSH HANDBOOK BY PAMELA SHANTEAU	74,50
VT 060	AUTOMOTIVE CHEAP TRICKS & SPECIAL F/X II BY CRAIG FRASER BOOK	72,00
VT 070	ROBERT PASCHAL - BASIC AIRBRUSH TECHNIQUES BOOK	85,00
VT 100	BASIC AIRBRUSH TECHNIQUES W/ DAVE MALONE	79,00
VT 1000	AIRBRUSH CONCEPTS BY CRAIG FRAISER DVD	79,00
VT 1200	MIKE LAVALLE'S TRUE FIRE - PART 1 - DVD	42,50
VT 1250	MIKE LAVALLE'S TRUE FIRE - PART 2 - DVD	85,00
VT 1500	AIRBRUSH FROM SCRATCH BY RAFAEL SCHNEPF DVD	55,50
VT 200	INTERMEDIATE AIRBRUSH TECHNIQUES W/ DAVE MALONE	42,50
VT 700	MASTERING SKULL MASTER W/ CRAIG FRASER	42,50
VT 800	AIRBRUSH GLASS PAINTING BY RAFAEL SCHNEPF	55,50
VT 800 DVD	AIRBRUSH GLASS PAINTING BY RAFAEL SCHNEPF DVD	42,50
VT 075	BASIC AIRBRUSH TECHNIQUES EXERCISE KIT	42,50



BOOKS



STRETCHmask™

Adhesive-Backed Masking Film



Artmask™

Adhesive-Backed Masking Film



FRISKETFILM

FOR AIRBRUSHING, MASKING AND STENCILING



Hobby Mask™

Adhesive-Backed Masking Film



ULTRA MASK™

Professional Masking Film For Airbrushing Graphics On Anything!



CUTTINGRAIL®

Patent No. D360,149



CUTTING MATS

Double Colored and Translucent



HOT MATZ™

GET 2 COLORS IN 1 HOT MATZ!



ARTIST BRIDGE

Patent No. D368,929 Made in U.S.A.



CODE	DESCRIPTION	SMP*
STRETCH MASKS		
F 101	ARTOOL STRETCH MASK 18" X 10 YDS	37,50
F 102	ARTOOL STRETCH MASK 18" X 25 YDS	68,50
ART MASKS		
F 201	ARTOOL ART MASK 18" X 10 YDS	37,50
F 202	ARTOOL ART MASK 18" X 25 YDS	68,50
MATTE FILM		
F 301	MATTE FILM 10" X 4YD	16,50
F 302	MATTE FILM 14" X 4YD/ 6 PER CARTON	24,00
F 303	MATTE FILM 24" X 4YD/ 4 PER CARTON	42,50
F 304	MATTE FILM 24" X 10YD/ 4 PER CARTON	81,50
F 310	MATTE FILM 15" X 10" SHEET 10 / 8 SHEET PACKS	19,00
F 311	MATTE FILM 24" X 20" SHEET 5 / 10 SHEET PACKS	59,00
GLOSS FILMS		
F 401	GLOSS FILM 10" X 4YD/ 6 PER CARTON	16,50
F 402	GLOSS FILM 14" X 4YD/ 6 PER CARTON	24,00
F 403	GLOSS FILM 24" X 4YD/ 6 PER CARTON	42,50
F 404	GLOSS FILM 24" X 10YD/ 6 PER CARTON	81,50
F 410	GLOSS FILM 15" X 10 SHEET 10 / 8 SHEET PACKS V. VIMF410	19,00
F 411	GLOSS FILM 24" X 20 SHEET 5 / 10 SHEET PACKS V. VIMF411	59,00
HOBBY MASKS		
HM 1	ARTOOL HOBBY MASK 6" X 10 YDS	25,00
HM 2 MS	ARTOOL HOBBY MASK MINI SERIES	18,00
ULTRAMASK		
F 501	ARTOOL ULTRAMASK 24" X 5 YDS	107,50
F 502	ARTOOL ULTRAMASK 24" X 10 YDS	201,50
F 503	ULTRA MASK 9" X 6.5'	44,50
F 504	ULTRA MASK SHEETS 9 X11	36,50
CUTTING RAILS		
CR 6	STANDARD 6 INCH CUTTING RAIL	13,50
CR 12	STANDARD 12 INCH CUTTING RAIL	16,50
CR 15	STANDARD 15 INCH CUTTING RAIL	19,00
CR 18	STANDARD 18 INCH CUTTING RAIL	21,00
CR 24	STANDARD 24 INCH CUTTING RAIL	23,00
CR 30	STANDARD 30 INCH CUTTING RAIL	27,00
CR 36	STANDARD 36 INCH CUTTING RAIL	30,00
CUTTERS		
NAT 700	MASKING KNIFE	9,50
NAT 705	MASKING KNIFE BLADES (5 PK)	5,50
NAT 715	MASKING KNIFE BLADES (15 PK)	13,50
CUTTING MATS		
FFCMA1/FT	24" X 36" (60 X 90 CM) TRANSLUCENT	77,50
FFCMA2/FT	18" X 24" (45 X 60 CM) TRANSLUCENT	40,50
FFCMA3/FT	12" X 18" (30 X 45 CM) TRANSLUCENT	23,00
FFCMA4/FT	8,5" X 12" (22 X 30 CM) TRANSLUCENT	13,50
FFCMA1/OG	24" X 36" (60 X 90 CM) GREEN/BLACK	77,50
FFCMA2/OG	18" X 24" (45 X 60 CM) GREEN/BLACK	40,50
FFCMA3/OG	12" X 18" (30 X 45 CM) GREEN/BLACK	23,00
FFCMA4/OG	8,5" X 12" (22 X 30 CM) GREEN/BLACK	13,50
HOT MATZ™		
FFCMA3/BG	HOT MATZ CUTTING MATZ 12" X 18" (30 X 45 CM) BLACK/GREEN	23,00
FFCMA3/PP	HOT MATZ CUTTING MATZ 12" X 18" (30 X 45 CM) PURPLE/PINK	26,00
ARTIST BRIDGES		
MRC 12	CLEAR ACRYLIC ARTIST BRIDGE 12"	19,00
MRC 18	CLEAR ACRYLIC ARTIST BRIDGE 18"	23,00

COM•ART™

colours

for Airbrush & Paintbrush

CODE	DESCRIPTION	SMP*
OPAQUE COLORS		
1 001 1	BLACK OPAQUE 1 oz (28 ml)	5,20
1 002 1	WHITE OPAQUE 1 oz (28 ml)	5,20
1 003 1	ULTRAMARINE OPAQUE 1 oz (28 ml)	5,20
1 004 1	PHTHALO BLUE OPAQUE 1 oz (28 ml)	5,20
1 005 1	PHTHALO GREEN OPAQUE 1 oz (28 ml)	5,20
1 006 1	CHROME GREEN OPAQUE 1 oz (28 ml)	5,20
1 007 1	HANSA YELLOW OPAQUE 1 oz (28 ml)	5,20
1 008 1	IRON YELLOW OPAQUE 1 oz (28 ml)	5,20
1 009 1	DINITRILE ORANGE OPAQUE 1 oz (28 ml)	5,20
1 010 1	TOLUEDANE RED OPAQUE 1 oz (28 ml)	5,20
1 011 1	CARMINE OPAQUE 1 oz (28 ml)	5,20
1 012 1	RED OXIDE OPAQUE 1 oz (28 ml)	5,20
1 013 1	MAGENTA OPAQUE 1 oz (28 ml)	5,20
1 014 1	BUMT UMBER OPAQUE 1 oz (28 ml)	5,20
1 015 1	RAW UMBER OPAQUE 1 oz (28 ml)	5,20
1 016 1	VIOLET OPAQUE 1 oz (28 ml)	5,20
1 017 1	DEEP RED OPAQUE 1 oz (28 ml)	5,20
1 018 1	BUMTSIENNA OPAQUE 1 oz (28 ml)	5,20
1 019 1	RAW SIENNA OPAQUE 1 oz (28 ml)	5,20
1 020 1	AZO YELLOW OPAQUE 1 oz (28 ml)	5,20
1 021 1	DIARYL ORANGE OPAQUE 1 oz (28 ml)	5,20
1 022 1	INDIAN RED OPAQUE 1 oz (28 ml)	5,20
1 023 1	COBALT BLUE OPAQUE 1 oz (28 ml)	5,20
1 024 1	QUINACRIDONE RED OPAQUE 1 oz (28 ml)	5,20
1 025 1	CERULEAN BLUE OPAQUE 1 oz (28 ml)	5,20
1 026 1	NAPHTOL DARK RED OPAQUE 1 oz (28 ml)	5,20
1 027 1	LIME GREEN OPAQUE 1 oz (28 ml)	5,20
1 028 1	MAROON OPAQUE 1 oz (28 ml)	5,20
1 029 1	VERMILLION OPAQUE 1 oz (28 ml)	5,20
1 030 1	BRIGHT ORANGE OPAQUE 1 oz (28 ml)	5,20
1 031 1	DEEP YELLOW OPAQUE 1 oz (28 ml)	5,20
1 032 1	AUREOLIAN YELLOW OPAQUE 1 oz (28 ml)	5,20
1 033 1	CITRON YELLOW OPAQUE 1 oz (28 ml)	5,20
1 034 1	VIOLET MADDER OPAQUE 1 oz (28 ml)	5,20
1 035 1	BRIGHT ROSE OPAQUE 1 oz (28 ml)	5,20
1 036 1	BLUE VIOLET OPAQUE 1 oz (28 ml)	5,20
1 037 1	MINERAL BLUE OPAQUE 1 oz (28 ml)	5,20
1 038 1	AZURE BLUE OPAQUE 1 oz (28 ml)	5,20
1 039 1	BLUE GREEN OPAQUE 1 oz (28 ml)	5,20
1 040 1	TURQUOISE OPAQUE 1 oz (28 ml)	5,20
1 041 1	COBALT GREEN HUE OPAQUE 1 oz (28 ml)	5,20
1 042 1	SAP GREEN OPAQUE 1 oz (28 ml)	5,20
1 043 1	MANGANESE VIOLET HUE OPAQUE 1 oz (28 ml)	5,20
1 044 1	PAYNES GREY OPAQUE 1 oz (28 ml)	5,20
OPAQUE COLORS DIFFERENT SIZE		
1 0XX 4	ALL 4 oz OPAQUE COLORS	13,50
1 0XX 16	ALL 16 oz OPAQUE COLORS	46,40
1 0XX 32	ALL 32 oz OPAQUE COLORS	70,20
1 0XX G	ALL 1 Gallon OPAQUE COLORS	226,90





CODE	DESCRIPTION	SMP*
PHOTO GRAY COLORS		
5 201 1	NEUTRAL GRAY 60% 1 oz (28 ml)	5,20
5 202 1	NEUTRAL GRAY 50% 1 oz (28 ml)	5,20
5 203 1	NEUTRAL GRAY 40% 1 oz (28 ml)	5,20
5 204 1	NEUTRAL GRAY 30% 1 oz (28 ml)	5,20
5 205 1	NEUTRAL GRAY 20% 1 oz (28 ml)	5,20
5 206 1	NEUTRAL GRAY 10% 1 oz (28 ml)	5,20
PHOTO GRAY COLORS DIFFERENT SIZE		
5 2XX 4	ALL 4 oz PHOTO GRAY COLORS	13,50
5 2XX 16	ALL 16 oz PHOTO GRAY COLORS	46,40
5 2XX 32	ALL 32 oz PHOTO GRAY COLORS	70,20
5 2XX G	ALL 1 Gallon PHOTO GRAY COLORS	226,90
METALLIC COLORS		
1 101 1	OPAQUE COPPER METALLIC 1 oz (28 ml)	5,20
1 102 1	OPAQUE BRONZE METALLIC 1 oz (28 ml)	5,20
1 103 1	OPAQUE SILVER METALLIC 1 oz (28 ml)	5,20
1 104 1	OPAQUE GOLD METALLIC 1 oz (28 ml)	5,20
1 110 1	PEARLESCENT COLORS 1 oz (28 ml)	5,20
1 201 1	REPRO MAGENTA 1 oz (28 ml)	5,20
1 202 1	REPRO CYAN 1 oz (28 ml)	5,20
1 203 1	REPRO YELLOW 1 oz (28 ml)	5,20
1 204 1	REPRO BLACK 1 oz (28 ml)	5,20
METALLIC COLORS DIFFERENT SIZE		
1 1XX 4	ALL 4 oz OPAQUE METALLIC COLORS	13,50
1 1XX 8	ALL 16 oz OPAQUE METALLIC COLORS	46,40
1 1XX 32	ALL 32 oz OPAQUE METALLIC COLORS	70,20
1 1XX G	ALL 1 Gallon OPAQUE METALLIC COLORS	226,90
TRANSPARENT COLORS		
2 001 1	TRANSPARENT BLACK 1 oz (28 ml)	5,20
2 002 1	TRANSPARENT SMOKE 1 oz (28 ml)	5,20
2 003 1	TRANSPARENT ULTRAMARINE 1 oz (28 ml)	5,20
2 004 1	TRANSPARENT ROYAL BLUE 1 oz (28 ml)	5,20
2 005 1	TRANSPARENT EMERALD GREEN 1 oz (28 ml)	5,20
2 006 1	TRANSPARENT KELLY GREEN 1 oz (28 ml)	5,20
2 007 1	TRANSPARENT MOSS GREEN 1 oz (28 ml)	5,20
2 008 1	TRANSPARENT FOREST GREEN 1 oz (28 ml)	5,20
2 009 1	TRANSPARENT CADMIUM YELLOW 1 oz (28 ml)	5,20
2 010 1	TRANSPARENT PALE YELLOW 1 oz (28 ml)	5,20
2 011 1	TRANSPARENT BRIGHT YELLOW 1 oz (28 ml)	5,20
2 012 1	TRANSPARENT BUMT ORANGE 1 oz (28 ml)	5,20
2 013 1	TRANSPARENT ORANGE 1 oz (28 ml)	5,20
2 014 1	TRANSPARENT OCHRE 1 oz (28 ml)	5,20
2 015 1	TRANSPARENT ROSE 1 oz (28 ml)	5,20
2 016 1	TRANSPARENT BRIGHT RED 1 oz (28 ml)	5,20
2 017 1	TRANSPARENT SIENNA BROWN 1 oz (28 ml)	5,20
2 018 1	TRANSPARENT VIOLET 1 oz (28 ml)	5,20
2 019 1	TRANSPARENT VERMILLION 1 oz (28 ml)	5,20
2 020 1	TRANSPARENT CARMINE 1 oz (28 ml)	5,20
2 021 1	TRANSPARENT MAGENTA 1 oz (28 ml)	5,20
2 022 1	TRANSPARENT MANGANESE VIOLET HUE 1 oz (28 ml)	5,20
2 023 1	TRANSPARENT PHTHALO BLUE 1 oz (28 ml)	5,20
2 024 1	TRANSPARENT VIRIDIAN 1 oz (28 ml)	5,20
2 025 1	TRANSPARENT MAY GREEN 1 oz (28 ml)	5,20





CODE	DESCRIPTION	SMP*
TRANSPARENT COLORS DIFFERENT SIZE		
2 0XX 4	ALL 4 oz TRANSPARENT COLORS	13,50
2 0XX 16	ALL 16 oz TRANSPARENT COLORS	46,40
2 0XX 32	ALL 32 oz TRANSPARENT COLORS	70,20
2 0XX G	ALL 1 Gallon TRANSPARENT COLORS	226,90
SPECIALITY COLORS		
9 100 4	MATTE VARNISH 4 oz	8,30
9 200 4	GLOSS VARNISH 4 oz	8,30
1 000 1	COM ART MEDIUM 1 oz	5,20
1 000 4	COM ART MEDIUM 4 oz	13,50
UNTIL STOCK LAST		
3 050 02 ***	DENIM BASE 2 oz (56 ml)	5,20
3 051 02 ***	TOP COAT 2 oz (56 ml)	4,20
COLOR KITS		
8 100 1	KIT A OPAQUE PRIMARY	32,00
8 100 2	KIT B OPAQUE SECONDARY	32,00
8 100 5	KIT E TRANSPARENT PRIMARY	32,00
8 100 6	KIT F TRANSPARENT SECONDARY	32,00
8 100 7	KIT G OPAQUE / TRANSPARENT	32,00
8 100 8H	KIT H B&W GRAY SET	32,00
8 100 14	STEVE DRISCOLL FLESH TONE SET	40,30
8 100 17	COM-ART CREATURE PAINT SET BY STEVE ROJAS	40,30
8 100 16	REAL DEAL SCENERY SET	40,30
8 100 15	REAL DEAL WEATHERING SET	40,30
UNTIL STOCK LAST		
TEXTILE OPAQUE COLORS		
3 110 02	WHITE OPAQUE 2 oz (56 ml)	6,00
3 111 02	TINTING WHITE 2 oz (56 ml)	6,00
3 120 02	BLACK OPAQUE 2 oz (56 ml)	6,00
3 130 02	RED OPAQUE 2 oz (56 ml)	6,00
3 131 02	PINK OPAQUE 2 oz (56 ml)	6,00
3 150 02	YELLOW OPAQUE 2 oz (56 ml)	6,00
3 160 02	GREEN OPAQUE 2 oz (56 ml)	6,00
3 161 02	AQUA GREEN OPAQUE 2 oz (56 ml)	6,00
3 170 02	BLUE OPAQUE 2 oz (56 ml)	6,00
3 180 02	VIOLET OPAQUE 2 oz (56 ml)	6,00
3 100 2	1 oz TEXTILE KIT	21,00
TEXTILE OPAQUE COLORS DIFFERENT SIZE		
3 1XX 04	All 4 oz opaque textile colors	9,00
3 1XX 16	All 16 oz opaque textile colors	20,00
3 1XX 32	All 32 oz opaque textile colors	37,00
3 1XX G	All 1 Gallon opaque textile colors	108,00
TEXTILE STANDARD COLORS		
3 230 02	DEEP RED 2 oz (56 ml)	6,00
3 231 02	VIBRANT RED 2 oz (56 ml)	6,00
3 232 02	MAGENTA 2 oz (56 ml)	6,00
3 233 02	RED OXIDE 2 oz (56 ml)	6,00
3 234 02	VERMILLION 2 oz (56 ml)	6,00
3 240 02	ORANGE 2 oz (56 ml)	6,00
3 241 02	TIGER ORANGE 2 oz (56 ml)	6,00
3 250 02	YELLOW 2 oz (56 ml)	6,00
3 251 02	GOLDEN YELLOW 2 oz (56 ml)	6,00
3 252 02	YELLOW OCHRE 2 oz (56 ml)	6,00
3 260 02	LEAF GREEN 2 oz (56 ml)	6,00
3 261 02	PHTHALO GREEN 2 oz (56 ml)	6,00
3 262 02	AQUA GREEN 2 oz (56 ml)	6,00
3 263 02	LIME GREEN 2 oz (56 ml)	6,00
3 270 02	DEEP BLUE 2 oz (56 ML)	6,00



COM•ART™ colours

for Airbrush & Paintbrush



CODE	DESCRIPTION	SMP*
TEXTILE STANDARD COLORS		
3 271 02	ULTRAMARINE BLUE 2 oz (56 ml)	6,00
3 272 02	PHTHALO BLUE 2 oz (56 ml)	6,00
3 273 02	TORQUOISE 2 oz (56 ml)	6,00
3 274 02	GULF BLUE 2 oz (56 ml)	6,00
3 280 02	HELIOTROPE VIOLET 2 oz (56 ml)	6,00
3 281 02	VIBRANT VIOLET 2 oz (56 ml)	6,00
3 282 02	VIBRANT BLUE VIOLET 2 oz (56 ml)	6,00
3 290 02	DEEP BROWN 2 oz (56 ml)	6,00
3 291 02	LIGHT BROWN 2 oz (56 ml)	6,00
TEXTILE STANDARD COLORS DIFFERENT SIZE		
3 2XX 04	ALL 4 oz STANDARD TEXTILE COLORS	9,00
3 2XX 16	ALL 16 oz STANDARD TEXTILE COLORS	20,00
3 2XX 32	ALL 32 oz STANDARD TEXTILE COLORS	37,00
3 2XX G	ALL 1 Gallon STANDARD TEXTILE COLORS	108,00
TEXTILE FLUORESCENT COLORS		
3 330 02	DEEP RED FLUORESCENT 2 oz (56 ml)	6,00
3 331 02	PINK FLUORESCENT 2 oz (56 ml)	6,00
3 332 02	MAGENTA FLUORESCENT 2 oz (56 ml)	6,00
3 340 02	ORANGE FLUORESCENT 2 oz (56 ml)	6,00
3 350 02	YELLOW FLUORESCENT 2 oz (56 ML)	6,00
3 351 02	GOLDEN YELLOW FLUORESCENT 2 oz (56 ml)	6,00
3 360 02	GREEN FLUORESCENT 2 oz (56 ml)	6,00
3 370 02	BLUE FLUORESCENT 2 oz (56 ml)	6,00
3 380 02	VIOLET FLUORESCENT 2 oz (56 ml)	6,00
TEXTILE FLUORESCENT COLORS DIFFERENT SIZE		
3 3XX 04	ALL 4 oz FLUORESCENT TEXTILE COLORS	9,00
3 3XX 16	ALL 16 oz FLUORESCENT TEXTILE COLORS	20,00
3 3XX 32	ALL 32 oz FLUORESCENT TEXTILE COLORS	37,00
3 3XX G	ALL 1 Gallon FLUORESCENT TEXTILE COLORS	108,00
TEXTILE METALLIC COLORS		
3 401 02	GOLD METALLIC 2 oz (56 ml)	6,00
3 402 02	SILVER METALLIC 2 oz (56 ml)	6,00
3 403 02	COPPER METALLIC 2 oz (56 ml)	6,00
3 404 02	BRONZE METALLIC 2 oz (56 ml)	6,00
TEXTILE METALLIC COLORS DIFFERENT SIZE		
3 4XX 04	ALL 4 oz METALLIC TEXTILE COLORS	9,00
3 4XX 16	ALL 16 oz METALLIC TEXTILE COLORS	20,00
3 4XX 32	ALL 32 oz METALLIC TEXTILE COLORS	37,00
3 4XX G	ALL 1 Gallon METALLIC TEXTILE COLORS	108,00
TEXTILE GRAY COLORS		
3 560 02	SMOKE GRAY 2 OZ (56 ml)	6,00
3 570 02	WARM GRAY 2 OZ (56 ml)	6,00
3 580 02	COOL GRAY 2 OZ (56 ml)	6,00
TEXTILE GRAY COLORS DIFFERENTS SIZE		
3 5XX 04	ALL 4 oz GRAY TEXTILE COLORS	9,00
3 5XX 16	ALL 16 oz GRAY TEXTILE COLORS	20,00
3 5XX 32	ALL 32 oz GRAY TEXTILE COLORS	37,00
3 5XX G	ALL 1 Gallon GRAY TEXTILE COLORS	108,00



CODE	DESCRIPTION	SMP*
BODY ART TEMPLATE		
NBD 351	BODY ART - COSMIC SET	23,80
NBD 352	BODY ART - KANJI CHARACTERS	23,80
NBD 353	BODY ART - SEA LIFE	23,80
NBD 354	BODY ART - BIRDS	23,80
NBD 355	BODY ART - MIDRIFF MADNESS	23,80
NBD 356	BODY ART - FUN STUFF	23,80
NBD 357	BODY ART - SOUTHWEST	23,80
NBD 358	BODY ART - MACHO	23,80
NBD 359	BODY ART - FEMININE	23,80
NBD 360	BODY ART - FLOWERS	23,80
NBD 361	BODY ART - ALPHABET AND NUMBERS	23,80
NBD 371	BODY ART - INSTANT HENNA I	23,80
NBD 372	BODY ART - INSTANT HENNA II	23,80
NBD 373	BODY ART - INSTANT HENNA III	23,80
NBD 401	BODY ART - PROFESSIONAL APPLICATION KIT	23,80
BODY ART ACCESSORIES		
NBD 410	BODY ART - COTTON PADS (80 pcs.)	6,20
NBD 415	BODY ART - 4 oz PUMP BOTTLE W/70% ISOPROPYL ALCOHOL	7,30
NBD 420	BODY ART - 16 oz 70% ISOPROPYL ALCOHOL	9,30
NBD 425	BODY ART - 2 oz SETTING POWDER	6,20
NBD 430	BODY ART - CLIENT CARE CARDS 100 pk.	6,20





CODE	DESCRIPTION	SMP*
NAIL ART ACCESSORIES		
NAS 601	NAIL ART - NAIL MASTER 1 - NAIL ART CURVES	11,40
NAS 602	NAIL ART - NAIL MASTER 2 - FREHAND SHAPES	11,40
NAS 603	NAIL ART - NAIL MASTER 3 - FREHAND SHAPES II	11,40
NAS 604	NAIL ART - NAIL MASTER 4 - FRENCH MANICURE	11,40
NAS 606	NAIL ART - NAIL MASTER 6 - EDGE FX	11,40
NAS 607	NAIL ART - NAIL MASTER 7 - EDGE FX II	11,40
NAS 608	NAIL ART - NAIL MASTER 8 - THE SWIRL	11,40
NAS 609	NAIL ART - NAIL MASTER 9 - KANJI	11,40
NAS 620	NAIL ART - NAIL MASTER 3-PACK (1,2,3)	37,20
NAS 630	NAIL ART - NAIL MASTER 3-PACK (4,5,6)	37,20
NAS 640	NAIL ART - NAIL MASTER 3-PACK (7,8,9)	37,20
NAS 800	NAIL ART - BLANK MASKS (10 SHEETS/PACK)	6,20
NAS 801	NAIL ART - ASSORTED DESIGN MASTS (100 PCS.)	11,40
NAS 802	NAIL ART - DESIGN MASK - SAILS (100 PCS.)	11,40
NAS 804	NAIL ART - DESIGN MASK - WHEAT (100 PCS.)	11,40
NAS 805	NAIL ART - DESIGN MASK - LIGHTNING (100 PCS.)	11,40
NAS 806	NAIL ART - DESIGN MASK - DELTAG (100 PCS.)	11,40
NAS 807	NAIL ART - TEXTURE KIT	9,30
NAS 812	NAIL ART - FRENCH ADORNMENT (200 PCS.)	10,40
NAS 813	NAIL ART - ETHNIC FRENCH SET 2 (200 PCS.)	10,40
NAS 815	NAIL ART - MYSTIC ORIENT SET (200 PCS.)	10,40
NAS 816	NAIL ART - MYSTIC ORIENT SET 2 (200 PCS.)	10,40
NAS 817	NAIL ART - FEMME FATALE (200 PCS.)	10,40
NAS 850	NAIL ART - ANIMALS	10,40
NAS 851	NAIL ART - FUN STUFF	10,40
NAS 852	NAIL ART - FLOWER FX	10,40
NAS 853	NAIL ART - FANTASTIC FRENCH MANICURE 2	10,40
NAS 854	NAIL ART - FANTASTIC FRENCH MANICURE 11	10,40
NAS 855	NAIL ART - FANTASTIC FRENCH MANICURE 12	10,40
NAS 856	NAIL ART - FANTASTIC FRENCH MANICURE 14	10,40
NAS 861	NAIL ART - HOT WHEEL	10,40
NAS 864	NAIL ART - JUNGLE PRING	10,40
NAS 865	NAIL ART - EGYPTIAN	10,40
NAS 870	NAIL ART - CHRISTMAS	9,30
NAS 872	NAIL ART - EASTER-VALENTINE	9,30
NAS 874	NAIL ART - 4TH OF JULY	9,30
NAS 876	NAIL ART - HALLOWEEN	9,30
NAS 880	NAIL ART - TROPICAL	9,30
NAS 882	NAIL ART - WESTERN	9,30
NAS 884	NAIL ART - SPECIAL OCCASIONS / VEGAS	9,30
NAS 886	NAIL ART - FLORAL	9,30
NAS 892	NAIL ART - COSMOS	9,30
NAS 897	NAIL ART - STENCIL 3-PACK (888,890,892)	25,80
NAS 898	NAIL ART - STENCIL 3-PACK (886,884,880)	25,80
NAS 899	NAIL ART - HOLIDAY 4-PACK (870,872,874,876)	34,10
NAT 501	NAIL ART - 1 OZ. EMPTY BOTTLE W/LID	2,10
NAZ 500	NAIL ART DISPLAY NAIL TIPS (10 TIPS WITH PINS)	9,30
NAZ 505	NAIL ART DISPLAY CASE FOR NAIL TIPS	27,90
NAZ 510	NAIL ART - FINGER RESTS	4,20

MODULAR PAINT HOLDERS

MEDEA

COM•ART
colours
for Airbrush & Paintbrush

Modular display stands for 1 oz (28 ml) colours are perfect for displaying the complete range of ACRYLIC PAINTS and MEDEA NAIL ART PAINTS in any shop or retail outlet

The stands are available as single rack, capable of holding up to 70 colours (14 rows), and can be stocked up (maximum of 6 racks) to create a display stand with a total capacity of 420 colours.

The stands are finished in powder metal, which means that they are particularly resistant and hard wearing.

They are available with a full supply of colours included, upon request.



MAGNETIC DISPLAY for AIRBRUSHES and STENCILS

Item Code: VTEC0003

Net Price: ask for quotation

Each display includes:

- 14 HOOKS for AIRBRUSH
- 4 HOOKS for STENCILS

Dimensions: 190x50x50 cm
Packaging dim. : 52x104x16,5 cm

Weight: KG 23,00



Magnetic crown
customizable on demand



Movable magnetic airbrush hook



TABLE TOP AIRBRUSH DISPLAY

Item Code: VTEC0002

Net Price: ask for quotation

Display consisting of two panels on a plexiglass structure.

Suitable for small areas. It is possible to create practical and flexible display angles.

Dimensions: H 49 cm x L 30 cm (closed)

H 49 cm x L 60 cm (opened)

metal hook for Artool Stencils



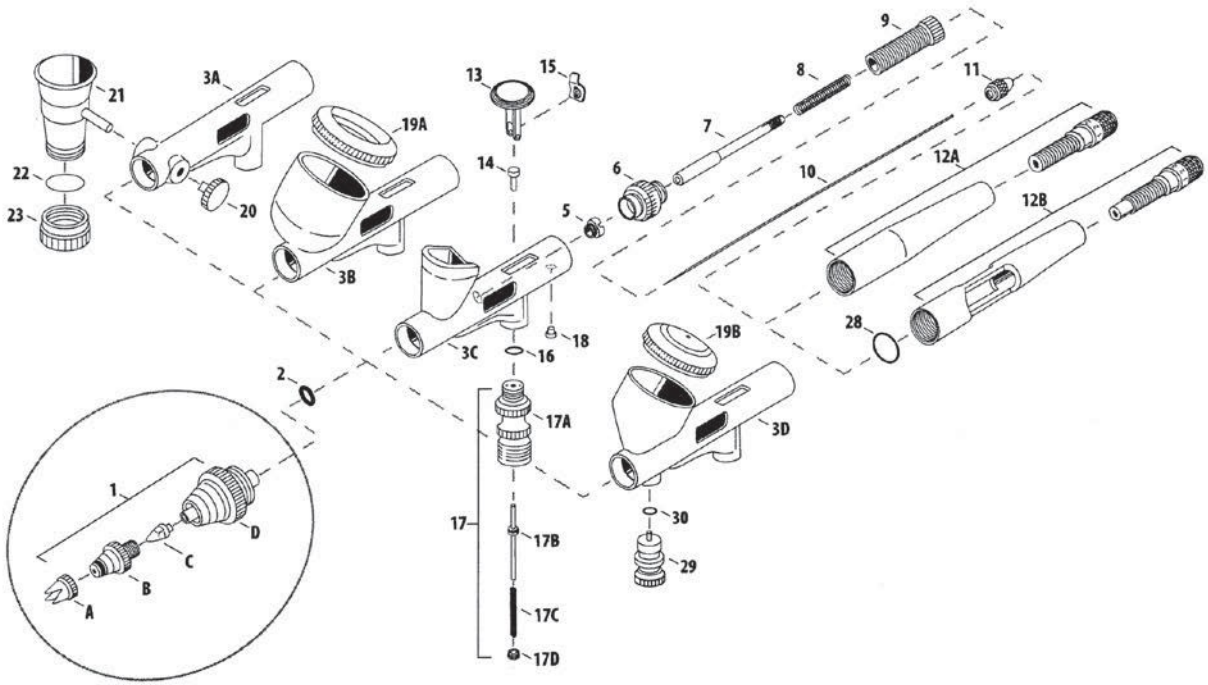
magnetic
anti-theft cover

plexiglass structure



Custom Micron

Absolute Precision for the Elite Professional



Custom Micron CM-C Plus / CM-C / CM-B / CM-SB

CODE	DESCRIPTION	MODEL	REF.	SMP*
I 535 1	Fluid Head System 0.18 mm	HP-CM B/SB	1	194,90
I 535 2	Fluid Head System 0.23 mm	HP-CM C/CP	1	194,90
I 535 1D	Needle Crown Cap	HP-CM B/C/SB/CP	1A	23,80
I 535 1C	Nozzle Cap	HP-CM B/SB	1B	46,40
I 535 2C	Nozzle Cap 0.23 mm	HP-CM C/CP	1B	46,40
I 535 1B	Fluid Nozzle 0.18 mm	HP-CM B/SB	1C	70,20
I 535 2B	Nozzle Set 0.23 mm	HP-CM C/CP	1C	70,20
I 535 1A	Head Cap	HP-CM B/C/SB/CP	1D	125,80
I 580 2	O Ring	HP-CM B/C/SB/CP	2	15,50
-	Gun Body	All Models	3 A-B-C-D	N.A.
I 580 3	Fluid Needle Packing	HP-CM B/C/SB	4	11,40
I 565 1	Needle Packing Screw	HP-CM B/C/SB	5	15,50
I 590 2	Needle Packing Set (Ptfе)	HP-CM CP	5A	23,80
I 590 1	Spring Guide	HP-CM B/C/SB/CP	6	32,00
I 550 1	Needle Chucking Guide	HP-CM B/C/SB/CP	7	29,90
I 570 1	Needle Spring	HP-CM B/C/SB/CP	8	11,40
I 575 1	Needle Spring Adj.	CM B/C/SB/CP	9	36,10
I 540 1	Fluid Needle 0.18 mm	HP-CM B/SB	10	29,90
I 540 2	Fluid Needle 0.23 mm	HP-CM C	10	29,90
I 540 3	Needle Set 0.23 mm	HP-CM CP	10	29,90
I 560 1	Needle Chucking Nut	HP-CM B/C/SB/CP	11	11,40
I 585 2	Preset Cap Handle Set	HP-CM CP	12B	70,20
I 585 1	Preset Cap Handle Set	HP-CM B/C/SB	12A	68,10

CODE	DESCRIPTION	MODEL	REF.	SMP*
I 500 1	Air Piston	HP-CM B/C/SB/CP	14	11,40
I 515 1	Auxiliary Lever	HP-CM B/C/SB/CP	15	11,40
I 580 1	O Ring (2 Pcs.)	HP-CM B/C/SB/CP	16	11,40
I 510 1	Air Valve Set	HP-CM B/C/SB/CP	17	68,10
I 510 4	Air Valve Spring	HP-CM B/C/SB/CP	17C	11,40
I 510 3	Air Valve Guide	HP-CM B/C/SB/CP	17D	12,40
I 555 1	Needle Chucking Guide Screw	HP-CM B/C/SB/CP	18	11,40
I 530 1	Lid Cup 20Cc	HP-CM C	19A	29,90
I 618 1	Lid Cup	HP-CM CP	19B	15,50
I 045 2	Blanking Cover	HP-CM SB	20	7,30
I 070 3	Side Cup 1/8 Oz.	HP-CM SB	21	46,40
I 070 4	Side Cup W/Lid 1/4 Oz.	HP-CM SB	21	46,40
I 150 5	Lower Lid Packing	HP-CM SB	22	7,30
I 095 6	Lower Lid 1/8 Oz.	HP-CM SB	23	12,40
I 095 7	Lower Lid 1/4 Oz.	HP-CM SB	23	11,40
I 605 1	Handle Packing (O Ring)	HP-CM CP	28	7,30
I 190 1	Air Control Valve	HP-CM CP	29	23,80
I 190 2	O Ring	HP-CM CP	30	7,30
I 165 1	Spanner	HP-CM B/C/SB/CP	45	7,30
I 160 3	Quick Fit Set (Qd & Adaptor)	HP-CM B/C/SB/CP	opt.	20,70
I 160 4	QUICK FIT ADAPTOR	HP-CM B/C/SB/CP	opt.	9,30
J 001	Adaptor (Iwata Airbrushes To Paasche Air Hose)	HP-CM B/C/SB/CP	opt.	12,40







HEADQUARTER:

ANEST IWATA Corporation

Yokohama - JAPAN

www.anest-iwata.co.jp

EUROPE:

ANEST IWATA Italia S.r.l.

Torino - ITALY

info@anest-iwata.it - www.anest-iwata.it

www.airbrush-iwata.it

ANEST IWATA Deutschland GmbH

Leipzig - GERMANY

info@anest-iwata.de - www.anest-iwata.de

www.airbrush-iwata.de

ANEST IWATA France S.A.

Saint Quentin Fallavier, Lyon - FRANCE

info@anest-iwata.fr - www.anest-iwata.fr

www.airbrush-iwata.fr

ANEST IWATA U.K. Ltd.

St. Neots Cambridgeshire - ENGLAND

enquiries@anest-iwata.co.uk

www.anest-iwata.co.uk

ANEST IWATA Iberica S.L.

Badalona, Barcelona - SPAIN

info@anest-iwata.es

www.anest-iwata.es

ANEST IWATA Scandinavia AB.

Partille, Göteborg - SWEDEN

info@anest-iwata.se

www.anest-iwata.se

ANEST IWATA Polska Sp. Z o.o.

Poznań - POLAND

info@anestiwata.com.pl

www.anest-iwata.pl

NORTH AMERICA:

ANEST IWATA USA Inc.

West Chester - Ohio - U.S.A.

inquiry@anestiwata.com

www.anestiwata.com

SOUTH AMERICA:

ANEST IWATA DO BRASIL COMERCIAL Ltda.

Sao Paulo - BRAZIL

contato@anest-iwata.net.br

www.anest-iwata.net.br

AUSTRALIA:

ANEST IWATA Australia Pty Ltd.

Sidney - AUSTRALIA

info@anest-iwata.com.au

www.anest-iwata.com.au

AFRICA:

ASIA:

ANEST IWATA Coating Solutions Corporation

Yokohama - JAPAN

www.anest-iwataeu.co.jp

ANEST IWATA Middle East FZE

Dubai - UNITED ARAB EMIRATES

info@anest-iwata-me.com

www.anest-iwataeu.com

ANEST IWATA Motherson Coating Equipment Ltd.

Noida - INDIA

sales@aim.motherson.com

www.motherson.com/anest-iwata-motherson.html

ANEST IWATA Russia LLC

Moscow - RUSSIA

tam@anestiwata.ru

www.anestiwata.ru

ANEST IWATA Shanghai Corporation

Shanghai - CHINA

customer@anest-iwata-sh.com

www.anest-iwata-sh.com

ANEST IWATA Taiwan Corporation

Hu-Kuo - TAIWAN R.O.C.

service@anestiwata.com.tw

www.anestiwata.com.tw

ANEST IWATA Vietnam CO. Ltd.

Ho Chi Minh City - VIETNAM

info@anest-iwata.vn

www.anest-iwatasoutheastasia.com

PT. ANEST IWATA Indonesia

Jakarta - INDONESIA

www.anest-iwatasoutheastasia.com

SOUTHEAST ASIA CO. Ltd.

Bangkok - THAILAND

info@anest-iwata.co.th

<http://www.anest-iwatasoutheastasia.com>

www.airbrush-iwata.com



PRICE
LIST

